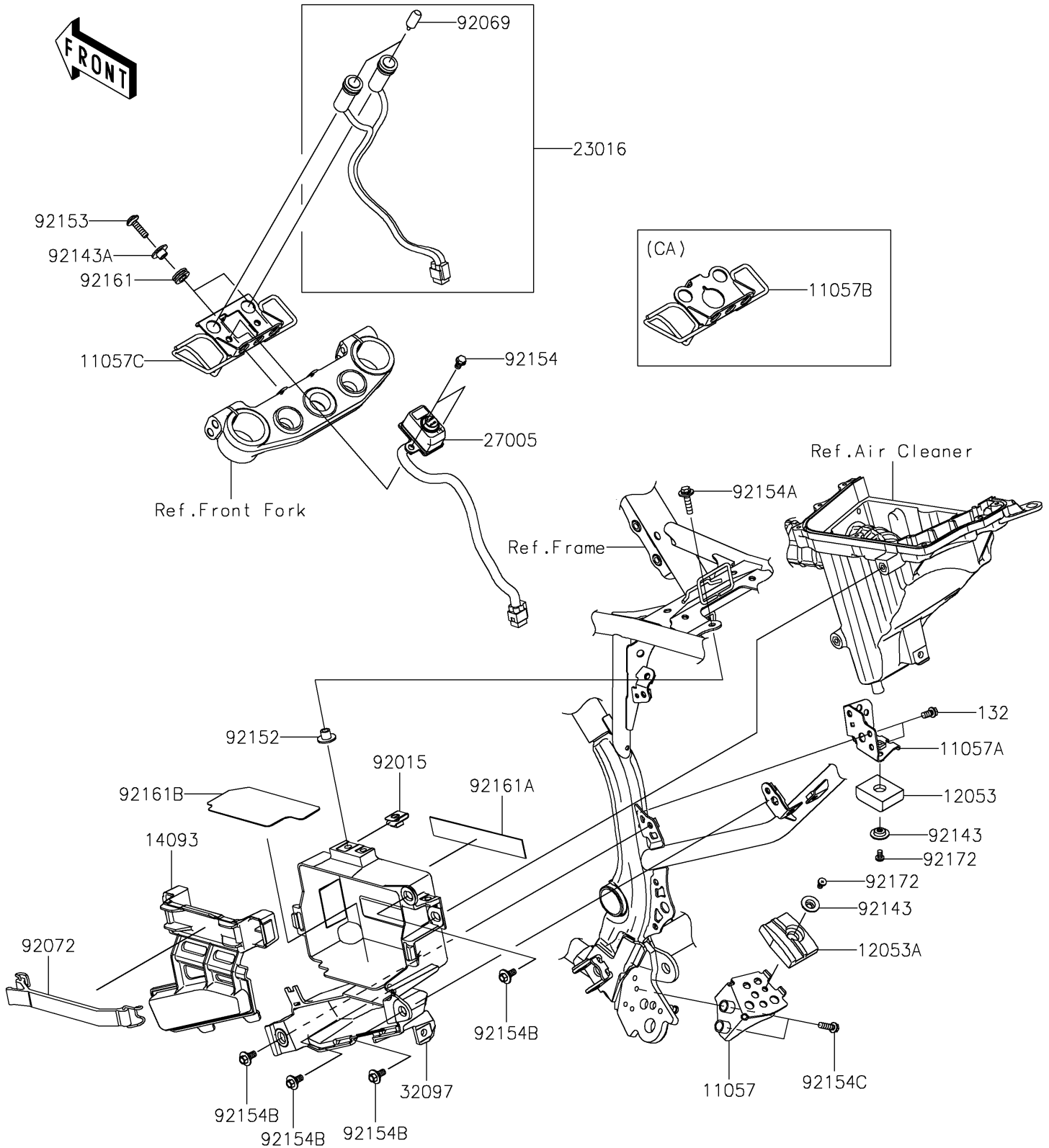


# 2021 KLX® 230R PARTS DIAGRAM

## Frame Fittings

F2131



## 2021 KLX® 230R PARTS LIST

### Frame Fittings

ITEM NAME	PART NUMBER	QUANTITY
BRACKET,LWR (Ref # 11057)	11057-2065	1
BRACKET,UPP (Ref # 11057A)	11057-2067	1
BRACKET,INDICATOR (Ref # 11057B)	11057-2082	1
GUIDE-CHAIN,UPP (Ref # 12053)	12053-0270	1
GUIDE-CHAIN,LWR (Ref # 12053A)	12053-0271	1
COVER,CASE-BATTERY (Ref # 14093)	14093-0785	1
LAMP-ASSY,INDICATOR (Ref # 23016)	23016-0626	1
CASE-BATTERY (Ref # 32097)	32097-0048	1
NUT,6MM (Ref # 92015)	92015-1602	1
BULB,12V 3.4W,T10 (Ref # 92069)	92069-1007	2
BAND,BATTERY (Ref # 92072)	92072-0839	1
COLLAR (Ref # 92143)	92143-1676	2
COLLAR (Ref # 92143A)	92143-1833	2
COLLAR,6.5X10X10.4 (Ref # 92152)	92152-1688	1
BOLT,SOCKET,6X22 (Ref # 92153)	92153-0574	2
BOLT,6X25 (Ref # 92154A)	92154-0467	1
BOLT,FLANGED,6X9 (Ref # 92154B)	92154-0546	5
BOLT,FLANGED,6X20 (Ref # 92154C)	92154-2757	2
DAMPER,10X18X6.5 (Ref # 92161)	92161-2091	2
DAMPER,146X22X1 (Ref # 92161A)	92161-2210	1
DAMPER,BATTERY (Ref # 92161B)	92161-2294	1
SCREW,5X8 (Ref # 92172)	92172-0119	2
BOLT-FLANGED-SMALL,6X12 (Ref # 132)	132BA0612	2