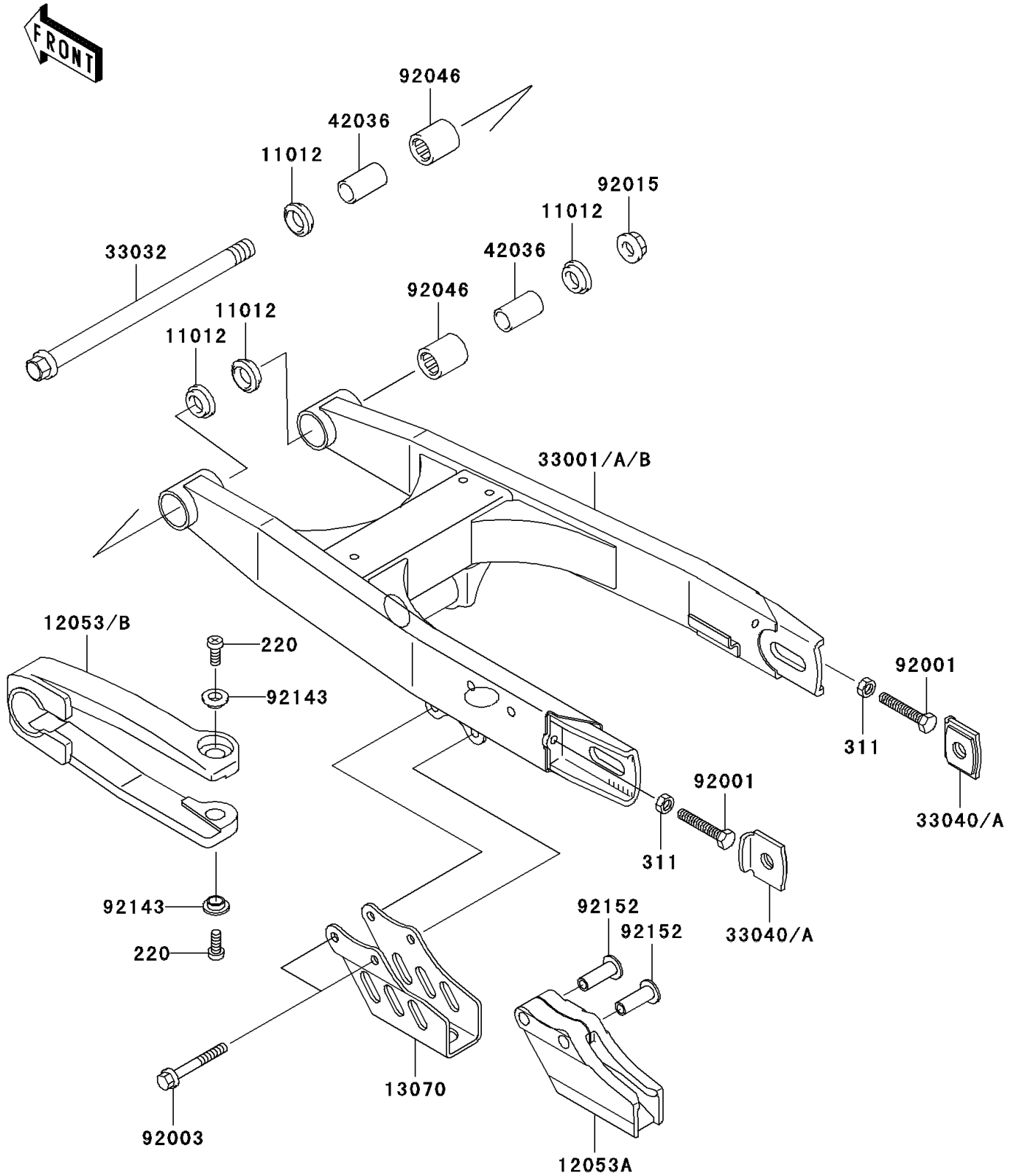


2003 KX65 PARTS DIAGRAM

Swingarm

F2141



2003 KX65 PARTS LIST

Swingarm

| ITEM NAME | PART NUMBER | QUANTITY |
|--------------------------------------|---------------|----------|
| SCREW-PAN-CROS,5X8 (Ref # 220) | 220B0508 | 2 |
| NUT-HEX,6MM (Ref # 311) | 311B0600 | 2 |
| CAP (Ref # 11012) | 11012-1263 | 4 |
| GUIDE-CHAIN,RR (Ref # 12053A) | 12053-1436 | 1 |
| GUIDE-CHAIN,FR (Ref # 12053B) | 12053-1456 | 1 |
| GUIDE,CHAIN (Ref # 13070) | 13070-1347 | 1 |
| ARM-COMP-SWING,SILVER (Ref # 33001B) | 33001-1634-CE | 1 |
| SHAFT-SWING ARM (Ref # 33032) | 33032-1194 | 1 |
| ADJUSTER-CHAIN (Ref # 33040A) | 33040-1188 | 2 |
| SLEEVE,SWING ARM,L=34 (Ref # 42036) | 42036-1067 | 2 |
| BOLT,6X39 (Ref # 92001) | 92001-1463 | 2 |
| BOLT,FLANGED,6X48 (Ref # 92003) | 92003-179 | 2 |
| NUT,FLANGED,12MM (Ref # 92015) | 92015-1433 | 1 |
| BEARING-NEEDLE (Ref # 92046) | 92046-1046 | 2 |
| COLLAR (Ref # 92143) | 92143-1676 | 2 |
| COLLAR (Ref # 92152) | 92152-1215 | 2 |