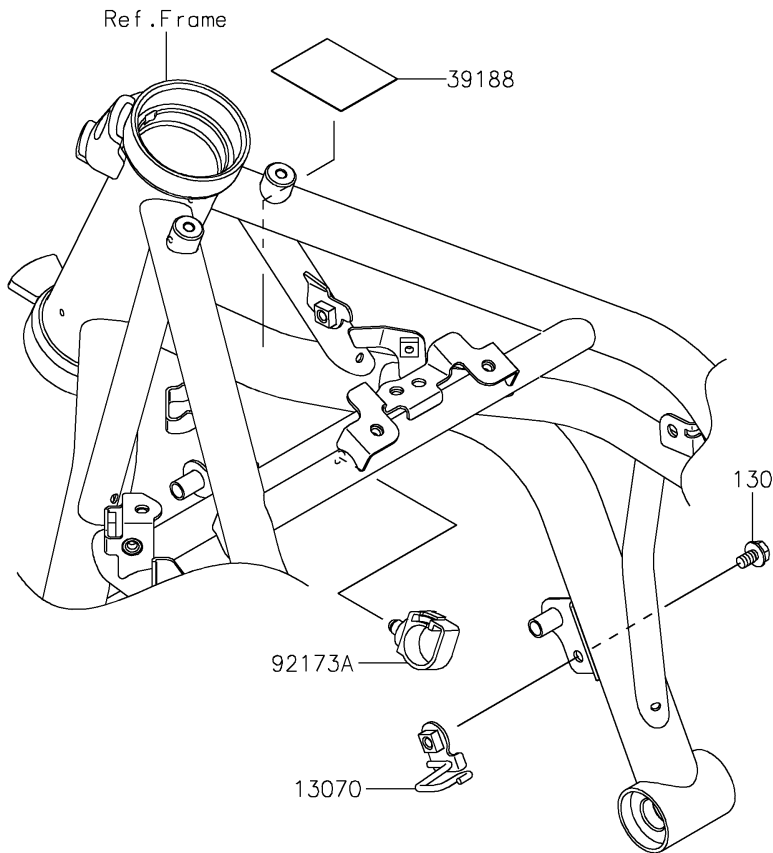
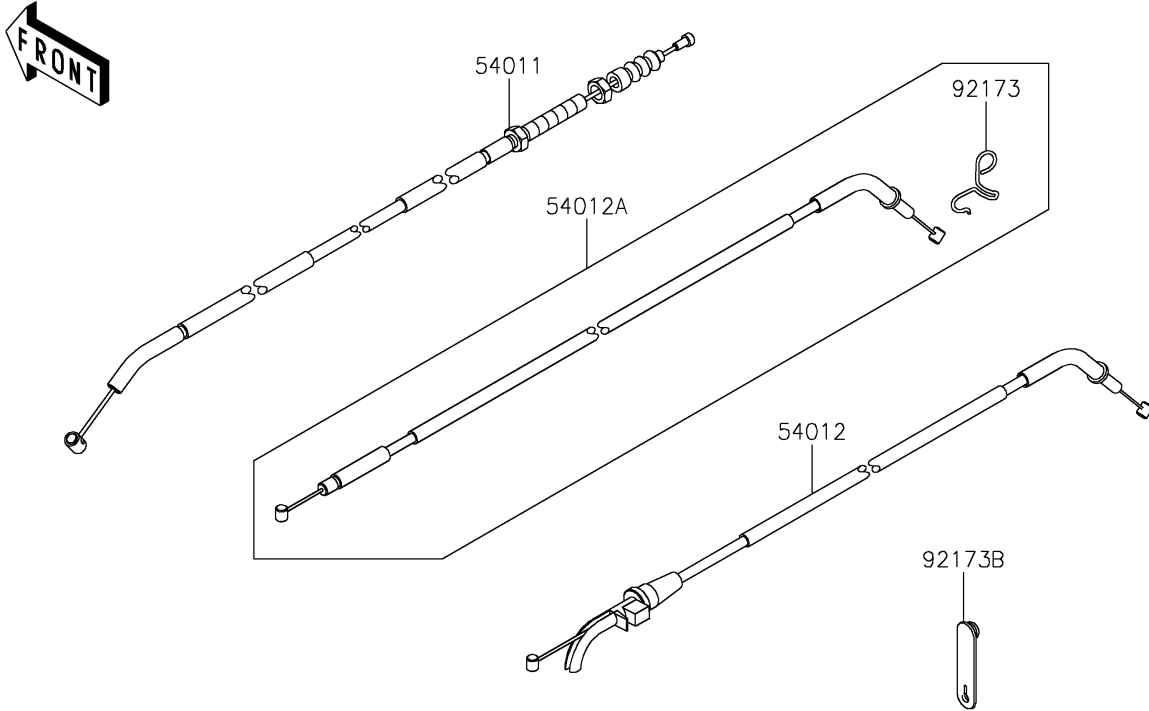


# 2022 Z650RS ABS PARTS DIAGRAM

Cables

F2540



## 2022 Z650RS ABS PARTS LIST

### Cables

ITEM NAME	PART NUMBER	QUANTITY
GUIDE,CLUTCH CABLE (Ref # 13070)	13070-0841	1
TAPE,40X50 (Ref # 39188)	39188-0049	1
CABLE-CLUTCH (Ref # 54011)	54011-0657	1
CABLE-THROTTLE,PULL (Ref # 54012)	54012-0720	1
CABLE-THROTTLE,RETURN (Ref # 54012A)	54012-0721	1
CLAMP,THROTTLE CABLE (Ref # 92173)	92173-0727	1
CLAMP (Ref # 92173A)	92173-0861	1
CLAMP (Ref # 92173B)	92173-2198	1
BOLT-FLANGED,6X10 (Ref # 130)	130BB0610	1