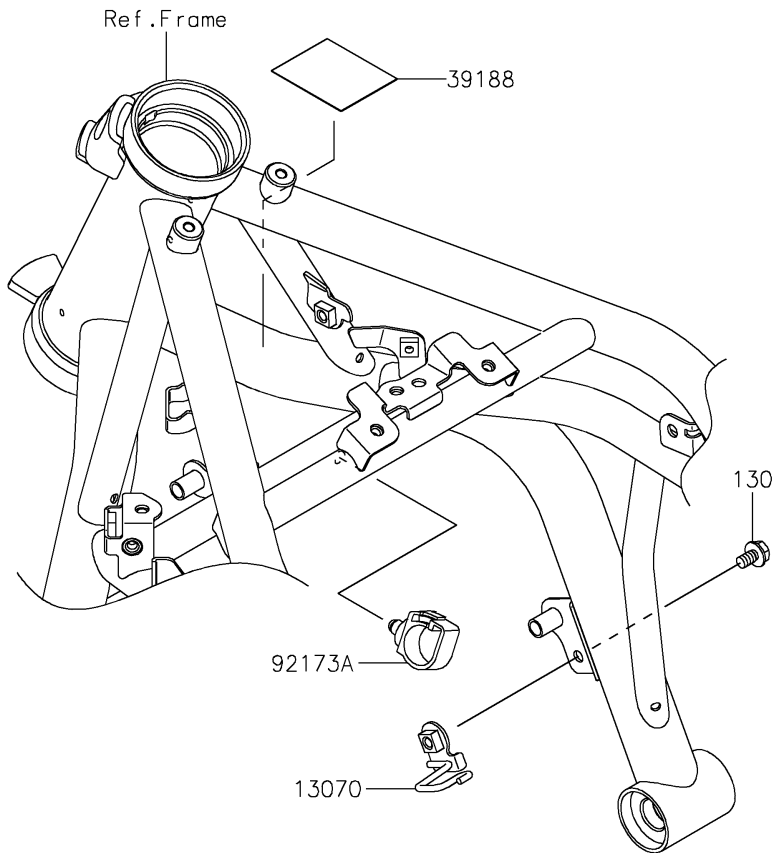
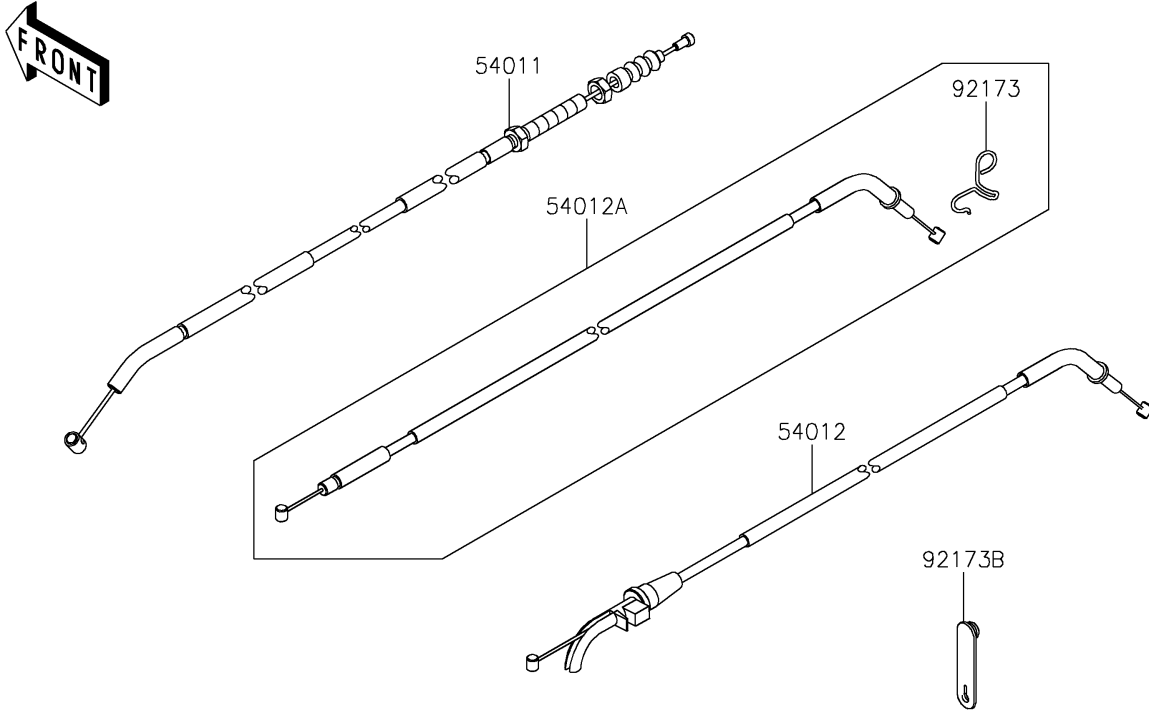


2022 Z650RS ABS PARTS DIAGRAM

Cables

F2540



2022 Z650RS ABS PARTS LIST

Cables

| ITEM NAME | PART NUMBER | QUANTITY |
|--------------------------------------|-------------|----------|
| GUIDE,CLUTCH CABLE (Ref # 13070) | 13070-0841 | 1 |
| TAPE,40X50 (Ref # 39188) | 39188-0049 | 1 |
| CABLE-CLUTCH (Ref # 54011) | 54011-0657 | 1 |
| CABLE-THROTTLE,PULL (Ref # 54012) | 54012-0720 | 1 |
| CABLE-THROTTLE,RETURN (Ref # 54012A) | 54012-0721 | 1 |
| CLAMP,THROTTLE CABLE (Ref # 92173) | 92173-0727 | 1 |
| CLAMP (Ref # 92173A) | 92173-0861 | 1 |
| CLAMP (Ref # 92173B) | 92173-2198 | 1 |
| BOLT-FLANGED,6X10 (Ref # 130) | 130BB0610 | 1 |