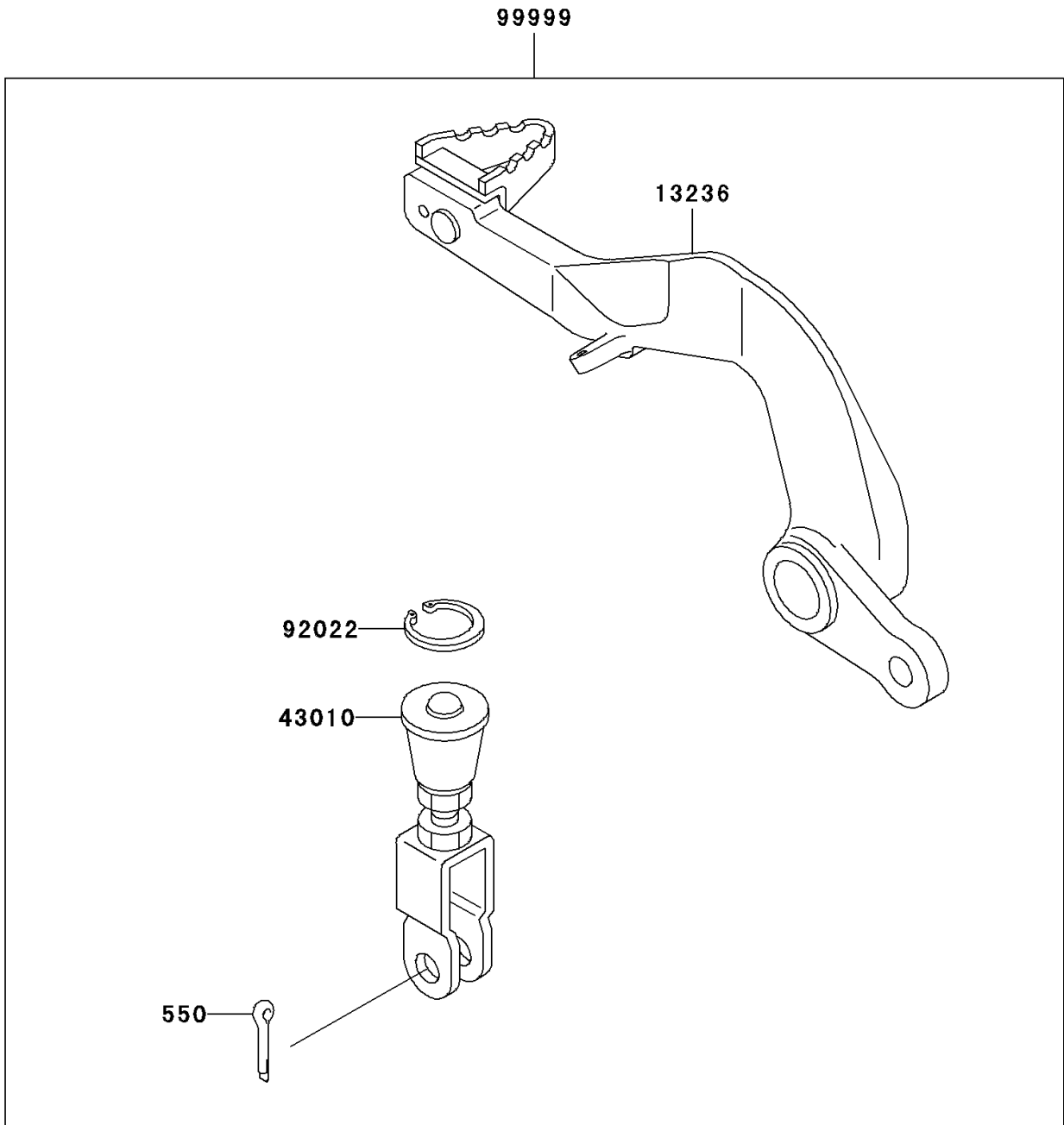


2000 KX65 PARTS DIAGRAM

Optional Parts(Brake Pedal)

F2890A



2000 KX65 PARTS LIST

Optional Parts(Brake Pedal)

ITEM NAME	PART NUMBER	QUANTITY
PIN-COTTER (Ref # 550)	550S2015	1
LEVER-COMP,BRAKE PEDAL,STEEL (Ref # 13236)	13236-1369	1
ROD-ASSY-BRAKE (Ref # 43010)	43010-1076	1
WASHER,CIRCRIP (Ref # 92022)	92022-1601	1
KIT.,REAR BRAKE PEDAL (Ref # 99999)	99999-1058	1