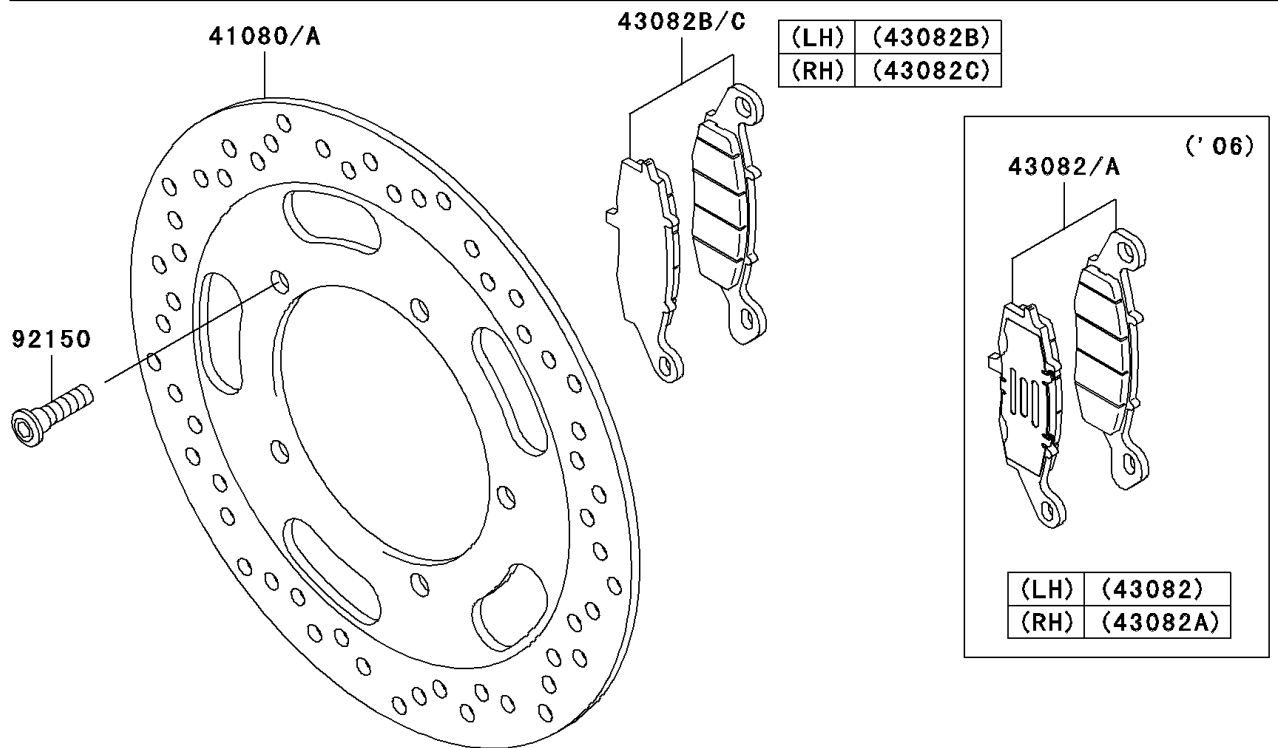
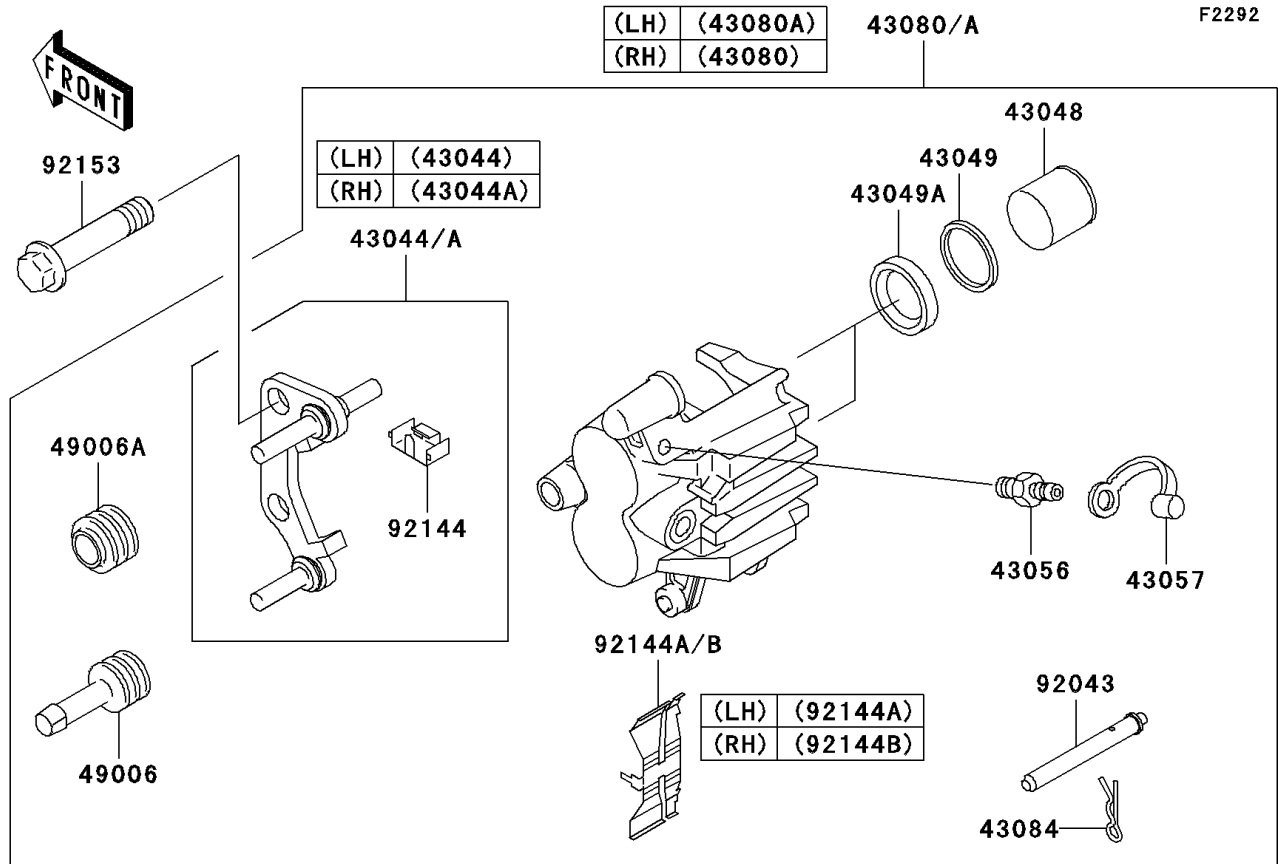


2007 Vulcan 1600 Nomad PARTS DIAGRAM

Front Brake



2007 Vulcan 1600 Nomad PARTS LIST

Front Brake

ITEM NAME	PART NUMBER	QUANTITY
DISC,FR,SILVER (Ref # 41080)	41080-0095-CM	2
HOLDER-COMP-CALIPER,FR,LH (Ref # 43044)	43044-1115	1
HOLDER-COMP-CALIPER,FR,RH (Ref # 43044A)	43044-1116	1
PISTON-CALIPER (Ref # 43048)	43048-1073	4
PACKING (Ref # 43049)	43049-1068	4
PACKING,PISTON SEAL (Ref # 43049A)	43049-1092	4
BREATHER-BRAKE (Ref # 43056)	43056-1054	2
CAP-BREATHER (Ref # 43057)	43057-003	2
CALIPER-SUB-ASSY,FR,RH,SILVER (Ref # 43080)	43080-5015-GN	1
CALIPER-SUB-ASSY,FR,LH,SILVER (Ref # 43080A)	43080-5017-GN	1
PAD-ASSY-BRAKE,LH (Ref # 43082B)	43082-0061	1
PAD-ASSY-BRAKE,RH (Ref # 43082C)	43082-0062	1
CLAMP,PAD (Ref # 43084)	43084-003	2
BOOT,CALIPER (Ref # 49006)	49006-1054	2
BOOT,CALIPER (Ref # 49006A)	49006-1095	2
PIN,PAD (Ref # 92043)	92043-1489	2
SPRING,STOPPER (Ref # 92144)	92144-1831	2
SPRING,PAD,LH (Ref # 92144A)	92144-1832	1
SPRING,PAD,RH (Ref # 92144B)	92144-1844	1
BOLT,SOCKET,8X30 (Ref # 92150)	92150-1771	10
BOLT,FLANGED,10X47 (Ref # 92153)	92153-0740	4