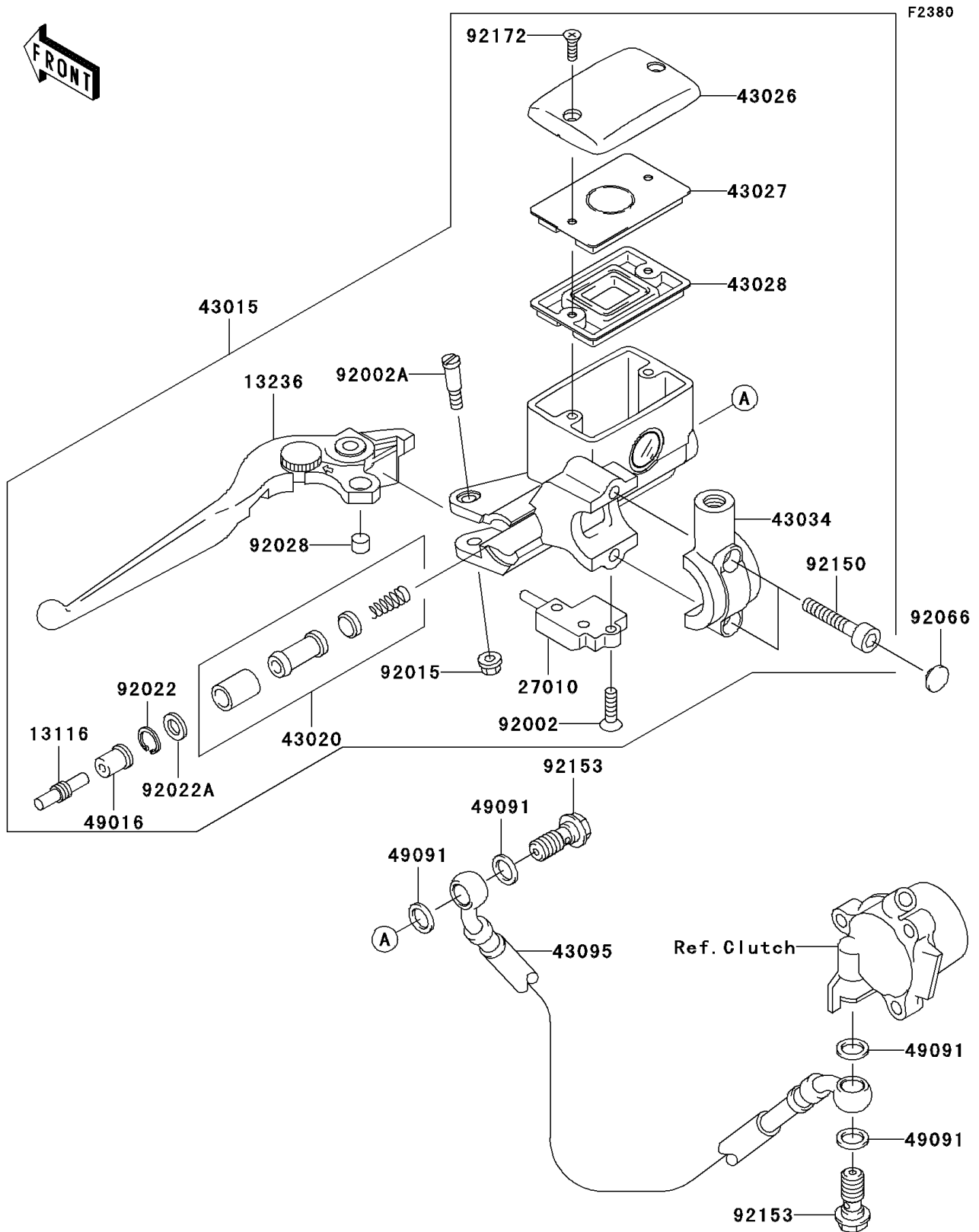


# 2007 Vulcan 1600 Nomad PARTS DIAGRAM

Clutch Master Cylinder



## 2007 Vulcan 1600 Nomad PARTS LIST

### Clutch Master Cylinder

| ITEM NAME                                 | PART NUMBER | QUANTITY |
|---|-------------|----------|
| ROD-PUSH,MASTER CYLINDER (Ref # 13116)    | 13116-1110  | 1        |
| LEVER-COMP,CLUTCH (Ref # 13236)           | 13236-1316  | 1        |
| SWITCH,CLUTCH (Ref # 27010)               | 27010-1406  | 1        |
| CYLINDER-ASSY-MASTER,CLUTCH (Ref # 43015) | 43015-0035  | 1        |
| PISTON-COMP-BRAKE,CLUTCH (Ref # 43020)    | 43020-1055  | 1        |
| CAP-BRAKE (Ref # 43026)                   | 43026-0003  | 1        |
| PLATE-DIAPHRAGM (Ref # 43027)             | 43027-1059  | 1        |
| DIAPHRAGM,MASTER CYLINDER (Ref # 43028)   | 43028-1058  | 1        |
| HOLDER-BRAKE (Ref # 43034)                | 43034-1172  | 1        |
| HOSE-BRAKE,CLUTCH (Ref # 43095)           | 43095-0033  | 1        |
| COVER-SEAL,MASTER CYLINDER (Ref # 49016)  | 49016-1044  | 1        |
| WASHER-SEAL,10.1X14.5X1.5 (Ref # 49091)   | 49091-0001  | 4        |
| SCREW,4X16 (Ref # 92002)                  | 92002-1325  | 1        |
| BOLT,LEVER SET (Ref # 92002A)             | 92002-1561  | 1        |
| NUT,FLANGED,6MM (Ref # 92015)             | 92015-1528  | 1        |
| CIRCLIP (Ref # 92022)                     | 92022-1605  | 1        |
| WASHER,PISTON (Ref # 92022A)              | 92022-1606  | 1        |
| BUSHING,MASTER CYLINDER (Ref # 92028)     | 92028-1310  | 1        |
| PLUG (Ref # 92066)                        | 92066-1301  | 2        |
| BOLT,SOCKET,6MM (Ref # 92150)             | 92150-1025  | 2        |
| BOLT,OIL,L=23 (Ref # 92153)               | 92153-0627  | 2        |
| SCREW (Ref # 92172)                       | 92172-0083  | 2        |