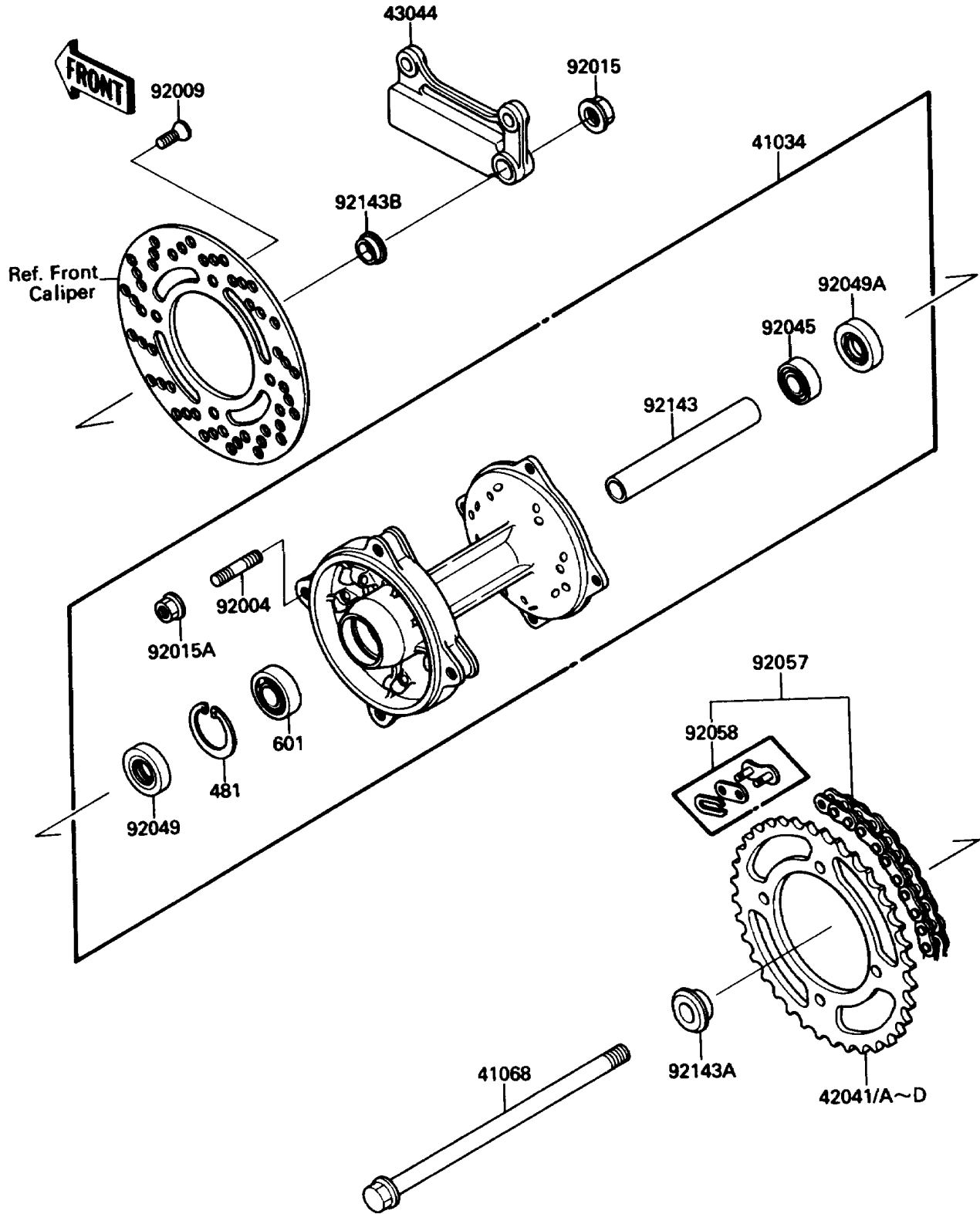


# 1988 KX80 PARTS DIAGRAM

Rear Hub

F2240-0210



# 1988 KX80 PARTS LIST

## Rear Hub

ITEM NAME	PART NUMBER	QUANTITY
DRUM-ASSY,REAR BRAKE (Ref # 41034)	41034-1165	1
AXLE,RR (Ref # 41068)	41068-1251	1
SPROCKET-HUB,49T (Ref # 42041)	42041-1207	1
SPROCKET-HUB,47T (Ref # 42041A)	42041-1226	1
SPROCKET-HUB,48T (Ref # 42041B)	42041-1227	1
SPROCKET-HUB,50T (Ref # 42041C)	42041-1228	1
SPROCKET-HUB,46T (Ref # 42041D)	42041-1301	1
HOLDER-COMP-CALIPER (Ref # 43044)	43044-1073	1
STUD,8X16 (Ref # 92004)	92004-1183	4
SCREW,6X10 (Ref # 92009)	92009-1375	4
NUT,FLANGED,12MM (Ref # 92015)	92015-1156	1
NUT,FLANGED,LOCK,8MM (Ref # 92015A)	92015-1668	4
BEARING-BALL,TMB201LLUC3/2A (Ref # 92045)	92045-1062	1
SEAL-OIL,DD20377 (Ref # 92049)	92049-1096	1
SEAL-OIL,DC17343.5 (Ref # 92049A)	92049-1290	1
CHAIN,DRIVE,DID420MBK-1X120L (Ref # 92057)	92057-1251	1
JOINT-CHAIN (Ref # 92058)	92058-1053	1
COLLAR,12.2X17.3X110.5 (Ref # 92143)	92143-1128	1
COLLAR,REAR AXLE,L=14.5 (Ref # 92143A)	92143-1129	1
COLLAR,REAR AXLE,L=9 (Ref # 92143B)	92143-1130	1
CIRCLIP-TYPE-C,37MM (Ref # 481)	481J3700	1
BEARING-BALL,#6201UUC3 (Ref # 601)	601B6301UU	1