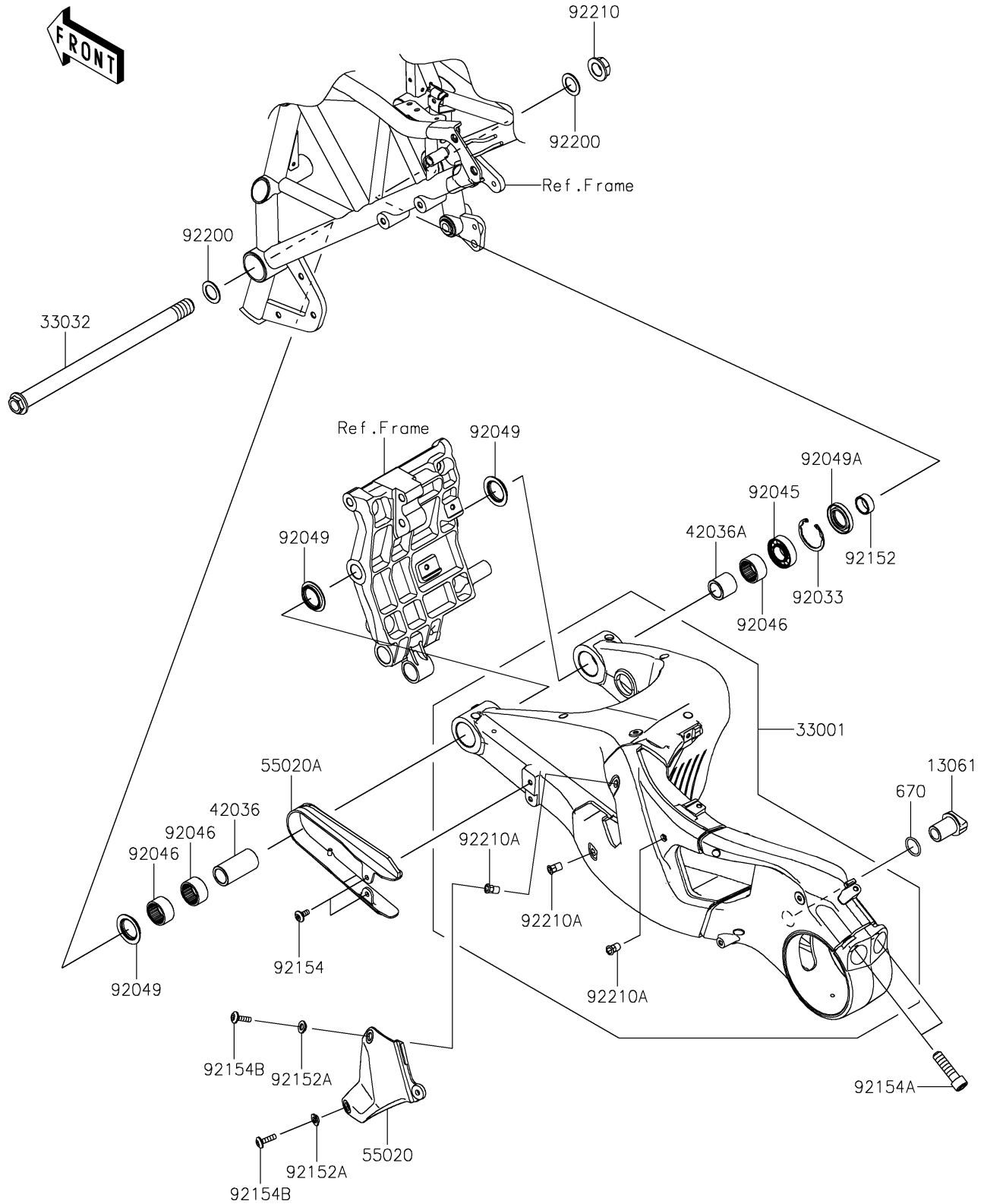


2022 NINJA H2® SX SE PARTS DIAGRAM

Swingarm

F2141



2022 NINJA H2® SX SE PARTS LIST

Swingarm

| ITEM NAME | PART NUMBER | QUANTITY |
|-----------|-------------|----------|
|-----------|-------------|----------|