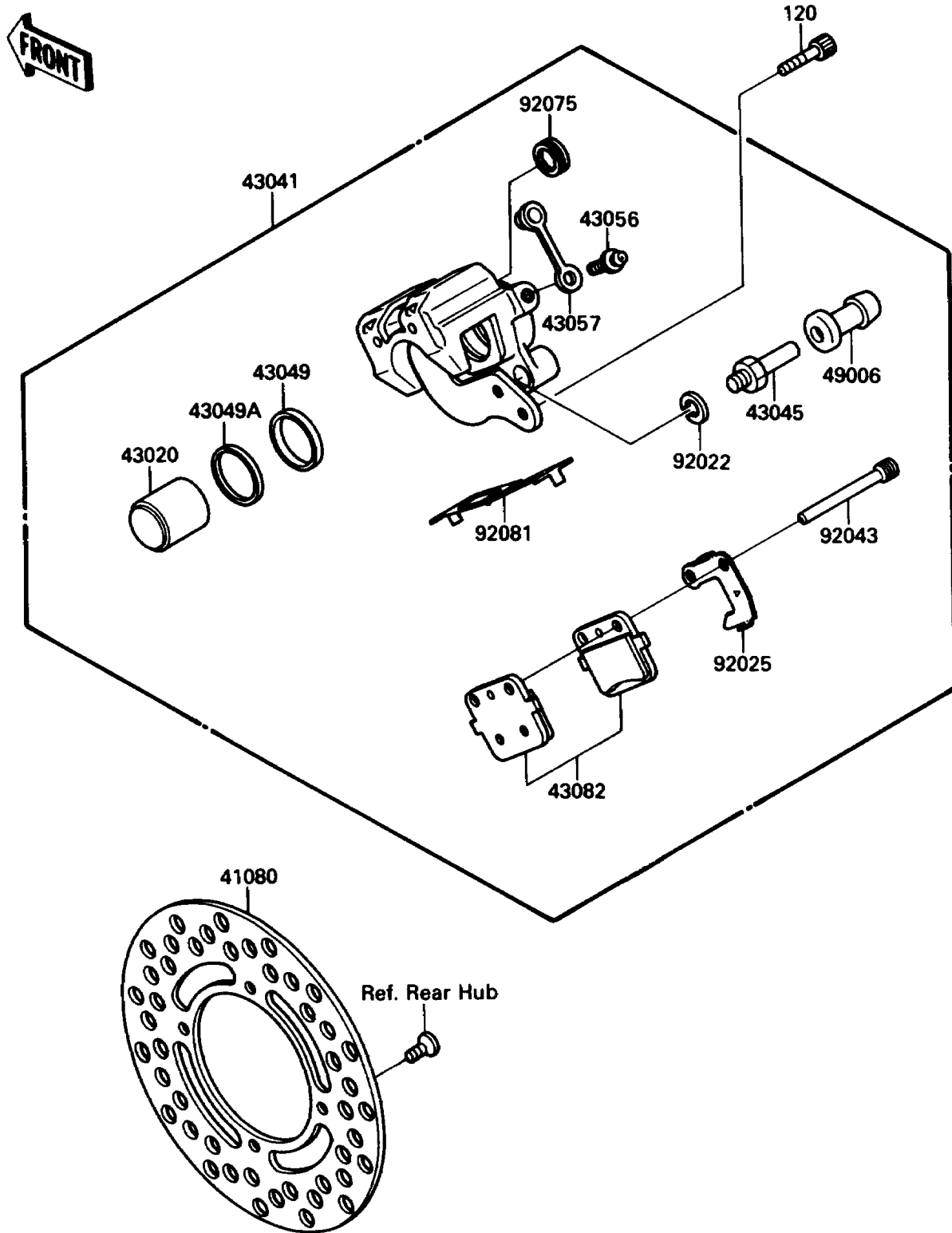


# 1988 KX80 PARTS DIAGRAM

Rear Brake

F2294-0046



# 1988 KX80 PARTS LIST

## Rear Brake

| ITEM NAME                          | PART NUMBER | QUANTITY |
|------------------------------------|-------------|----------|
| DISC,RR (Ref # 41080)              | 41080-1196  | 1        |
| PISTON-COMP-BRAKE (Ref # 43020)    | 43020-1075  | 1        |
| CALIPER-ASSY,RR (Ref # 43041)      | 43041-1240  | 1        |
| SHAFT-CALIPER (Ref # 43045)        | 43045-1010  | 1        |
| PACKING,PISTON SEAL (Ref # 43049)  | 43049-1060  | 1        |
| PACKING,PISTON SEAL (Ref # 43049A) | 43049-1061  | 1        |
| BREATHER-BRAKE (Ref # 43056)       | 43056-1052  | 1        |
| CAP-BREATHER (Ref # 43057)         | 43057-1001  | 1        |
| PAD-ASSY-BRAKE (Ref # 43082)       | 43082-1082  | 1        |
| BOOT,CALIPER (Ref # 49006)         | 49006-1088  | 1        |
| WASHER,WAVE (Ref # 92022)          | 92022-1373  | 1        |
| SHIM,PAD (Ref # 92025)             | 92025-1817  | 1        |
| PIN,PAD HOLDER (Ref # 92043)       | 92043-1366  | 2        |
| DAMPER (Ref # 92075)               | 92075-1414  | 1        |
| SPRING,PAD (Ref # 92081)           | 92081-1502  | 1        |
| BOLT-SOCKET (Ref # 120)            | 120P0816    | 2        |