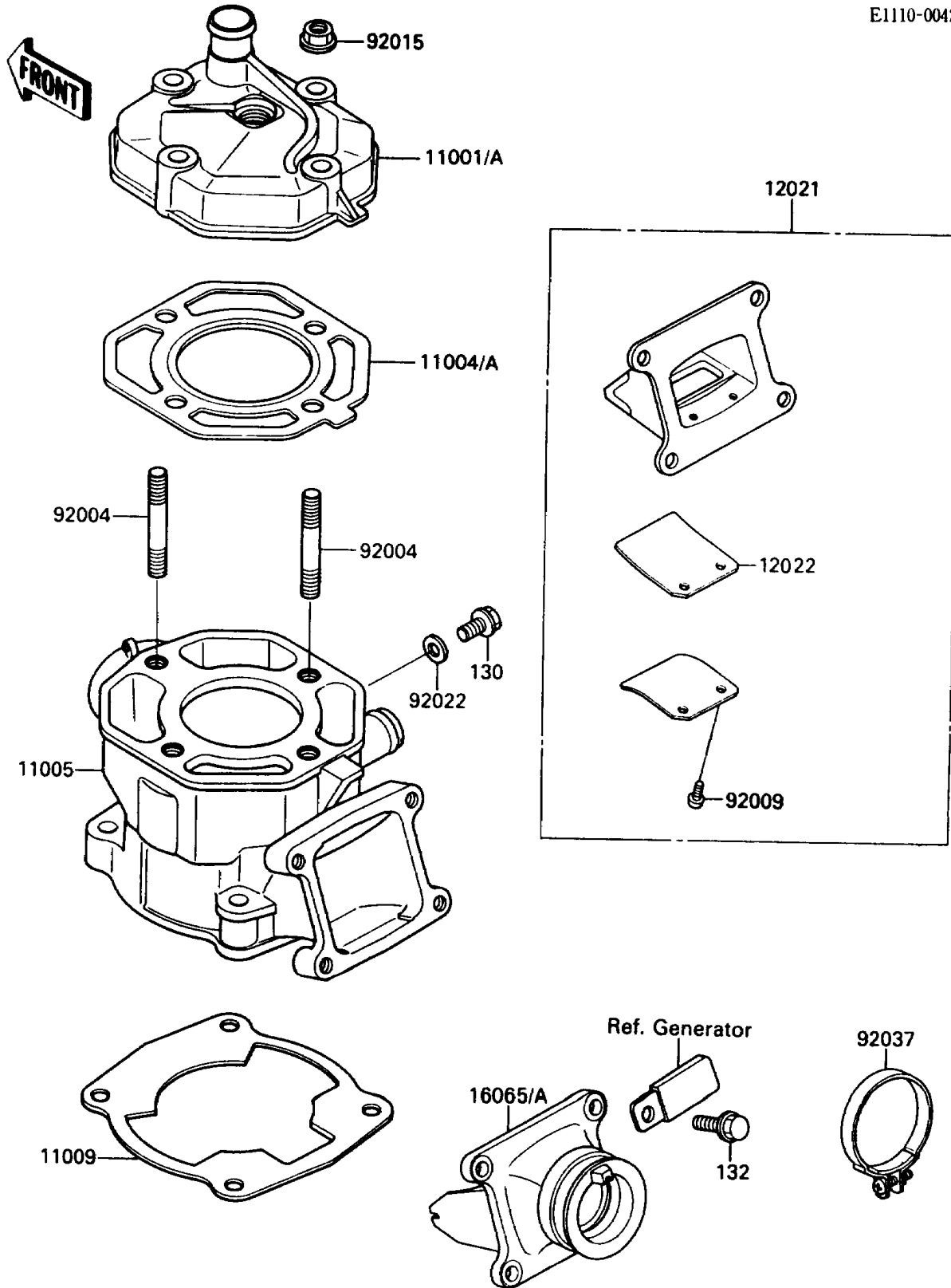


1990 Big Wheel PARTS DIAGRAM

Cylinder Head/Cylinder

E1110-0042



1990 Big Wheel PARTS LIST

Cylinder Head/Cylinder

ITEM NAME	PART NUMBER	QUANTITY
HEAD-CYLINDER (Ref # 11001A)	11001-1309	1
GASKET-HEAD (Ref # 11004A)	11004-1199	1
CYLINDER-ENGINE (Ref # 11005)	11005-1560	1
GASKET,CYLINDER BASE (Ref # 11009)	11009-1970	1
VALVE-ASSY-REED (Ref # 12021)	12021-1075	1
VALVE-REED (Ref # 12022)	12022-1054	2
HOLDER-CARBURETOR (Ref # 16065A)	16065-1212	1
STUD,8X35 (Ref # 92004)	92004-1009	4
SCREW,REED VALVE (Ref # 92009)	92009-1014	4
NUT,8MM (Ref # 92015)	92015-1143	4
WASHER,6.1X12X1 (Ref # 92022)	92022-077	1
CLAMP (Ref # 92037)	92037-1843	1
BOLT-FLANGED,6X8 (Ref # 130)	130B0608	1
BOLT-FLANGED-SMALL (Ref # 132)	132G0620	4