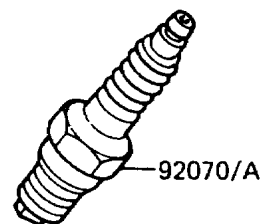
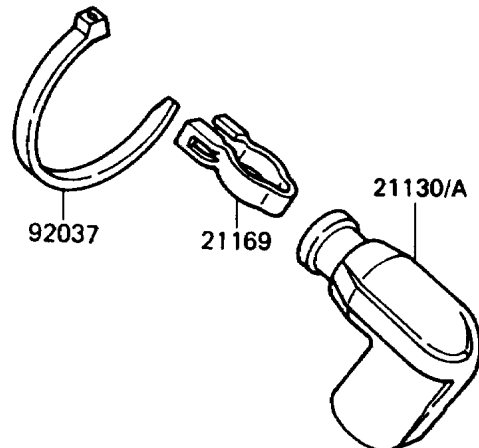
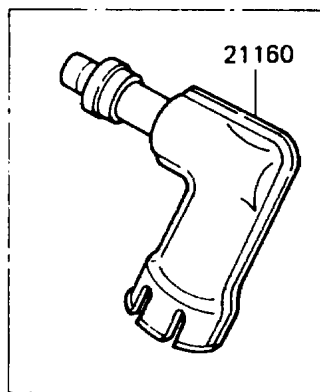
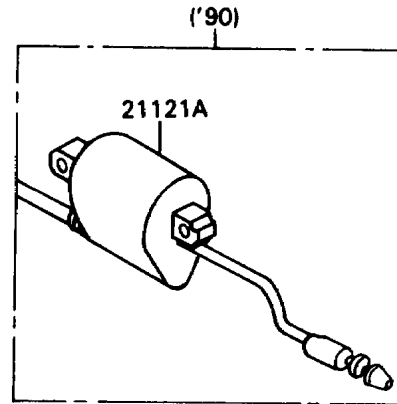
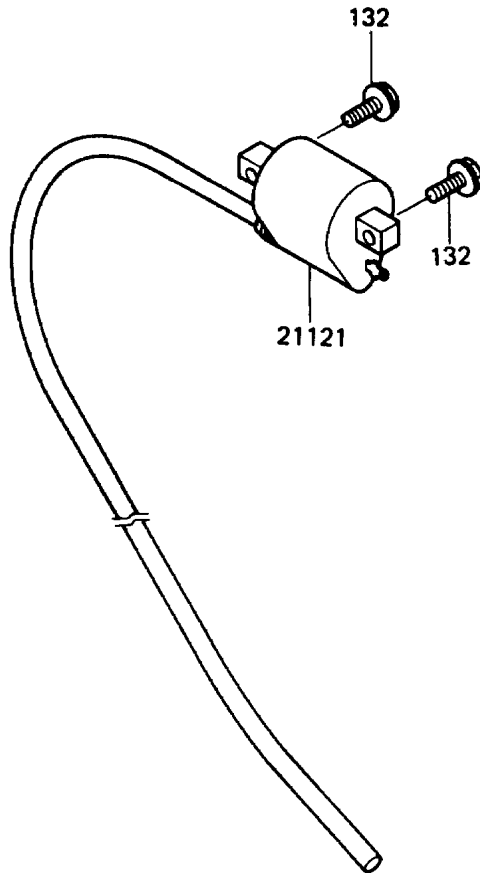


# 1990 KX80 PARTS DIAGRAM

Ignition System

E1830-0234



# 1990 KX80 PARTS LIST

## Ignition System

ITEM NAME	PART NUMBER	QUANTITY
COIL-IGNITION (Ref # 21121A)	21121-1183	1
CAP-SPARK PLUG (Ref # 21130A)	21130-1062	1
CAP-ASSY-PLUG (Ref # 21160)	21160-005	1
CLAMP (Ref # 92037)	92037-1173	1
PLUG-SPARK,B9EG(NGK) (Ref # 92070)	92070-1058	1
PLUG-SPARK,B9EG(NGK) (Ref # 92070A)	92070-1061	1
BOLT-FLANGED-SMALL (Ref # 132)	132G0616	2