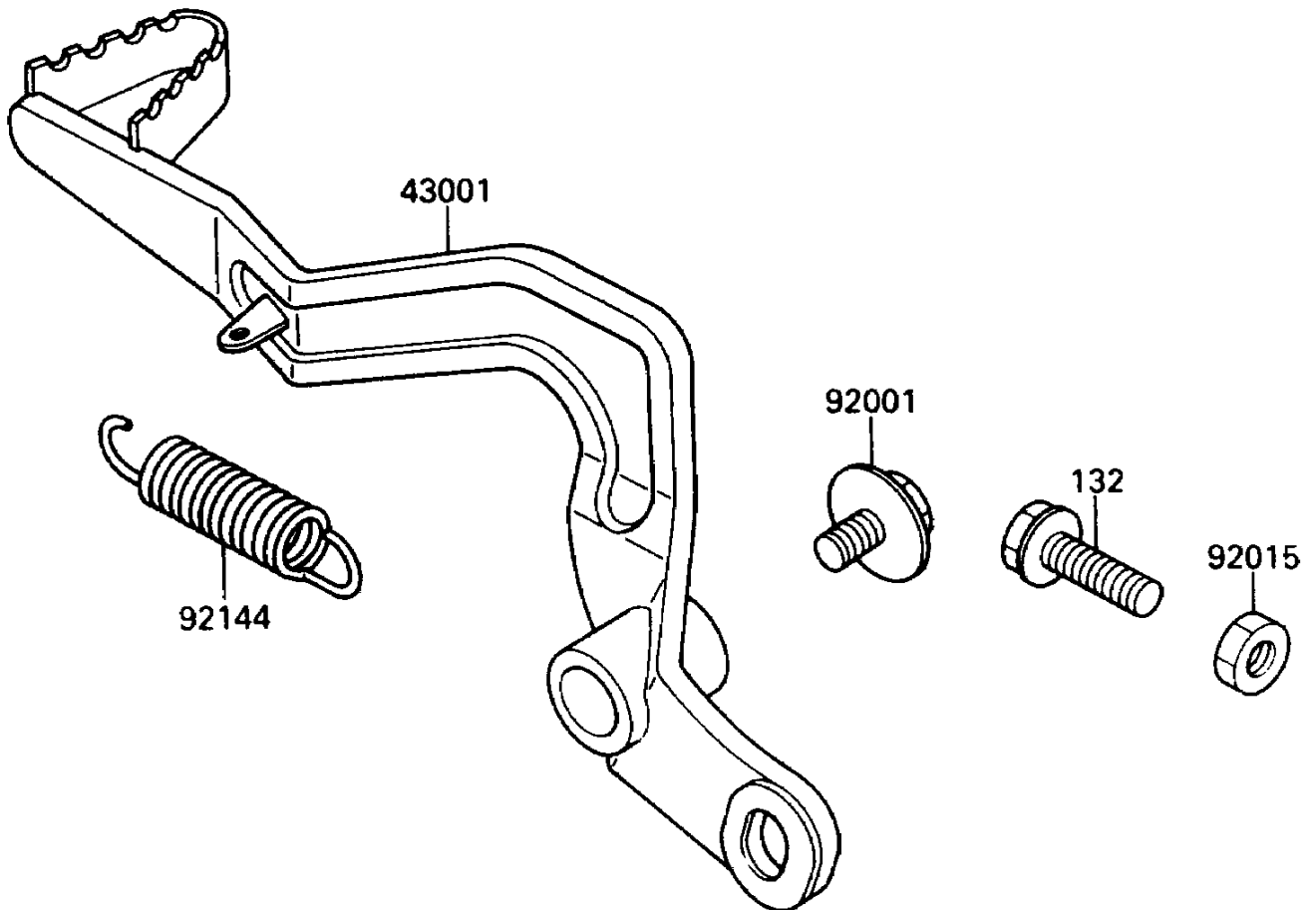


1990 Big Wheel PARTS DIAGRAM

Brake Pedal

F2260-0192



1990 Big Wheel PARTS LIST

Brake Pedal

| ITEM NAME | PART NUMBER | QUANTITY |
|---|-------------|----------|
| LEVER-BRAKE,PEDAL (Ref # 43001) | 43001-1232 | 1 |
| BOLT,FLANGED,6X10 (Ref # 92001) | 92001-1034 | 1 |
| NUT,6MM (Ref # 92015) | 92015-1391 | 1 |
| SPRING,BRAKE PEDAL RETURN (Ref # 92144) | 92144-1047 | 1 |
| BOLT-FLANGED-SMALL (Ref # 132) | 132G0620 | 1 |