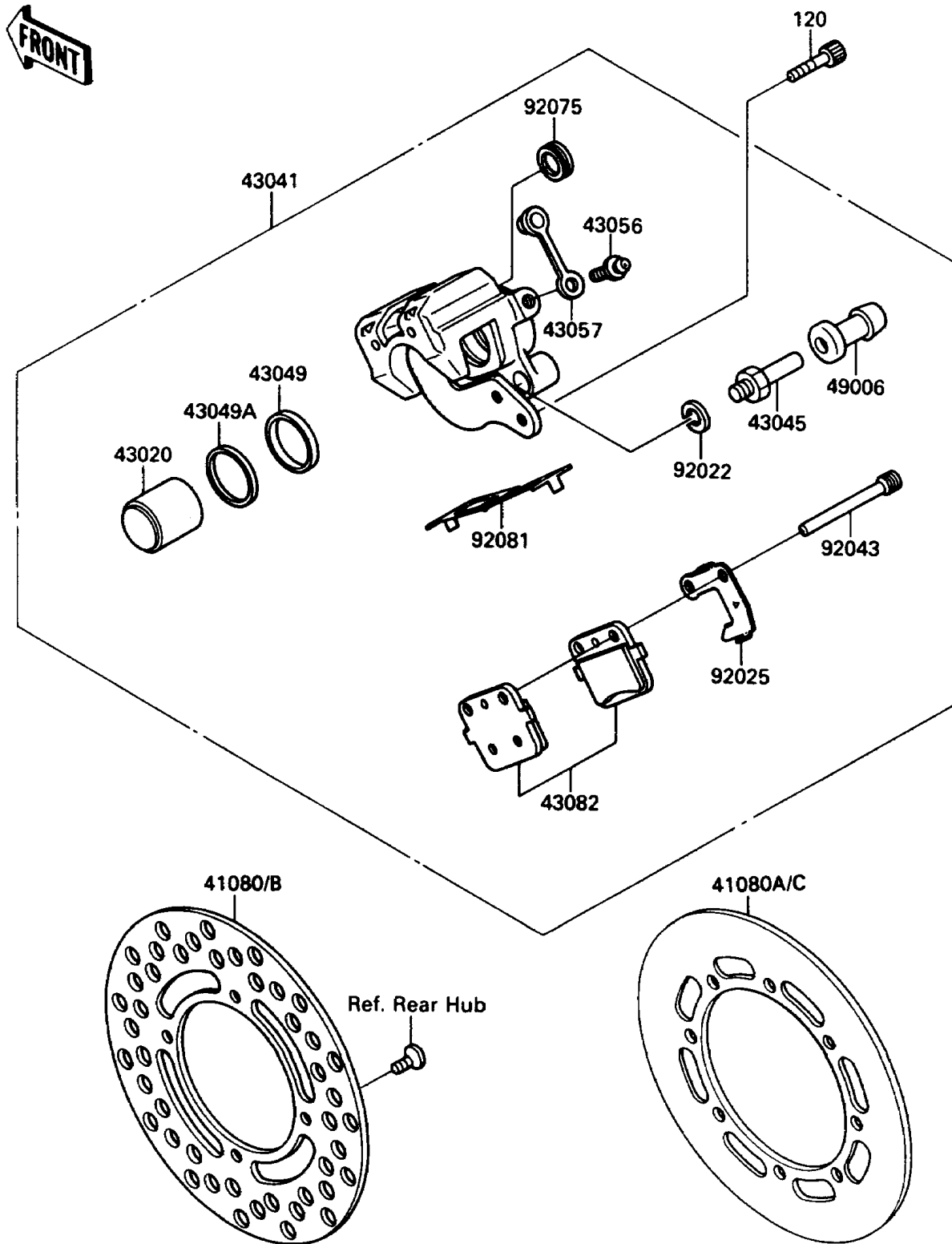


1989 KX80 PARTS DIAGRAM

Rear Brake

F2294-0046



1989 KX80 PARTS LIST

Rear Brake

ITEM NAME	PART NUMBER	QUANTITY
DISC,RR (Ref # 41080)	41080-1196	1
DISC,RR (Ref # 41080A)	41080-1236	1
PISTON-COMP-BRAKE (Ref # 43020)	43020-1075	1
CALIPER-ASSY,RR (Ref # 43041)	43041-1240	1
SHAFT-CALIPER (Ref # 43045)	43045-1010	1
PACKING,PISTON SEAL (Ref # 43049)	43049-1060	1
PACKING,PISTON SEAL (Ref # 43049A)	43049-1061	1
BREATHER-BRAKE (Ref # 43056)	43056-1052	1
CAP-BREATHER (Ref # 43057)	43057-1001	1
PAD-ASSY-BRAKE (Ref # 43082)	43082-1082	1
BOOT,CALIPER (Ref # 49006)	49006-1088	1
WASHER,WAVE (Ref # 92022)	92022-1373	1
SHIM,PAD (Ref # 92025)	92025-1817	1
PIN,PAD HOLDER (Ref # 92043)	92043-1366	2
DAMPER (Ref # 92075)	92075-1414	1
SPRING,PAD (Ref # 92081)	92081-1502	1
BOLT-SOCKET (Ref # 120)	120P0816	2