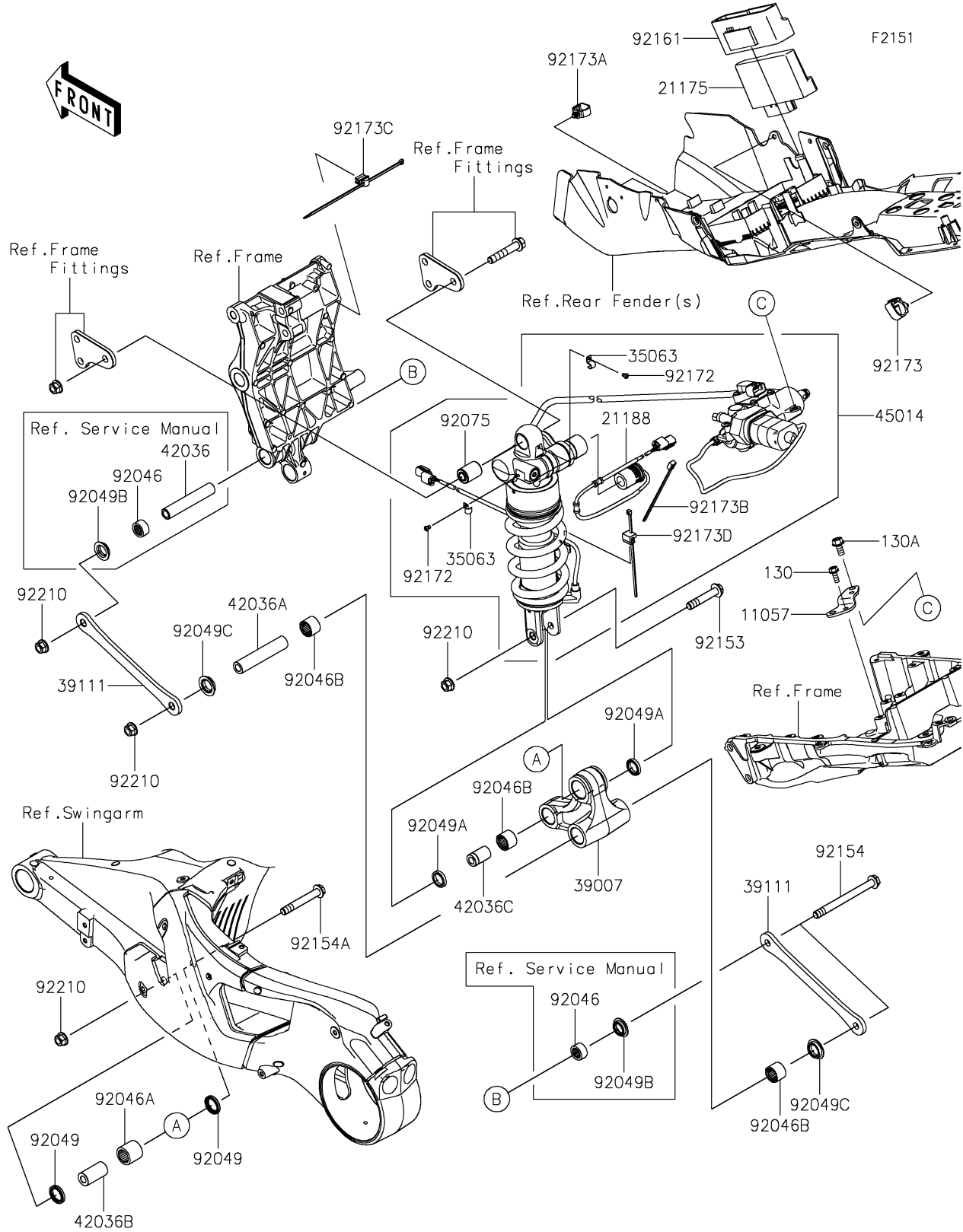


2020 NINJA H2[®]? SX SE+ PARTS DIAGRAM

Suspension/Shock Absorber



2020 NINJA H2® SX SE+ PARTS LIST

Suspension/Shock Absorber

ITEM NAME	PART NUMBER	QUANTITY
BRACKET,MOTOR (Ref # 11057)	11057-2073	1
CONTROL UNIT-ELECTRONIC,KECS (Ref # 21175)	21175-1481	1
SOLENOID (Ref # 21188)	21188-0020	1
STAY (Ref # 35063)	35063-1439	2
ARM-SUSP (Ref # 39007)	39007-0423	1
ROD-TIE,SUSPENSION (Ref # 39111)	39111-0368	2
SLEEVE,10.1X16X90.5 (Ref # 42036)	42036-0763	1
SLEEVE,10.1X18X90.5 (Ref # 42036A)	42036-0828	1
SLEEVE,10.1X20X39 (Ref # 42036B)	42036-0835	1
SLEEVE,10.1X18X30 (Ref # 42036C)	42036-1258	1
SHOCKABSORBER,KECS (Ref # 45014)	45014-0626	1
BEARING-NEEDLE,16BM2212 (Ref # 92046)	92046-1192	2
BEARING-NEEDLE,7E-HVS20X27X25 (Ref # 92046A)	92046-1236	1
BEARING-NEEDLE,SFYZM182417 (Ref # 92046B)	92046-1272	3
SEAL-OIL,20X27X4 (Ref # 92049)	92049-0823	2
SEAL-OIL,MHA18244 (Ref # 92049A)	92049-1225	2
SEAL-OIL,SD03 16 22 5.7 (Ref # 92049B)	92049-1466	2
SEAL-OIL,KCR MF018N1 (Ref # 92049C)	92049-1493	2
DAMPER,SHOCKABSORBER (Ref # 92075)	92075-1426	1
BOLT,FLANGED,10X55 (Ref # 92153)	92153-1546	1
BOLT,FLANGED,10X114 (Ref # 92154)	92154-1553	2
BOLT,FLANGED,10X70 (Ref # 92154A)	92154-1695	1
DAMPER,ECU (Ref # 92161)	92161-2137	1
SCREW (Ref # 92172)	92172-1252	2
CLAMP (Ref # 92173)	92173-0861	1
CLAMP,HOLDER CLIP (Ref # 92173A)	92173-0868	1
CLAMP (Ref # 92173B)	92173-1918	1
CLAMP (Ref # 92173C)	92173-2077	1
CLAMP (Ref # 92173D)	92173-2161	1

2020 NINJA H2® SX SE+ PARTS LIST

Suspension/Shock Absorber

ITEM NAME	PART NUMBER	QUANTITY
NUT,LOCK,FLANGED,10MM (Ref # 92210)	92210-1139	4
BOLT-FLANGED,6X16 (Ref # 130)	130CB0616	2
BOLT-FLANGED,8X16 (Ref # 130A)	130CB0816	2