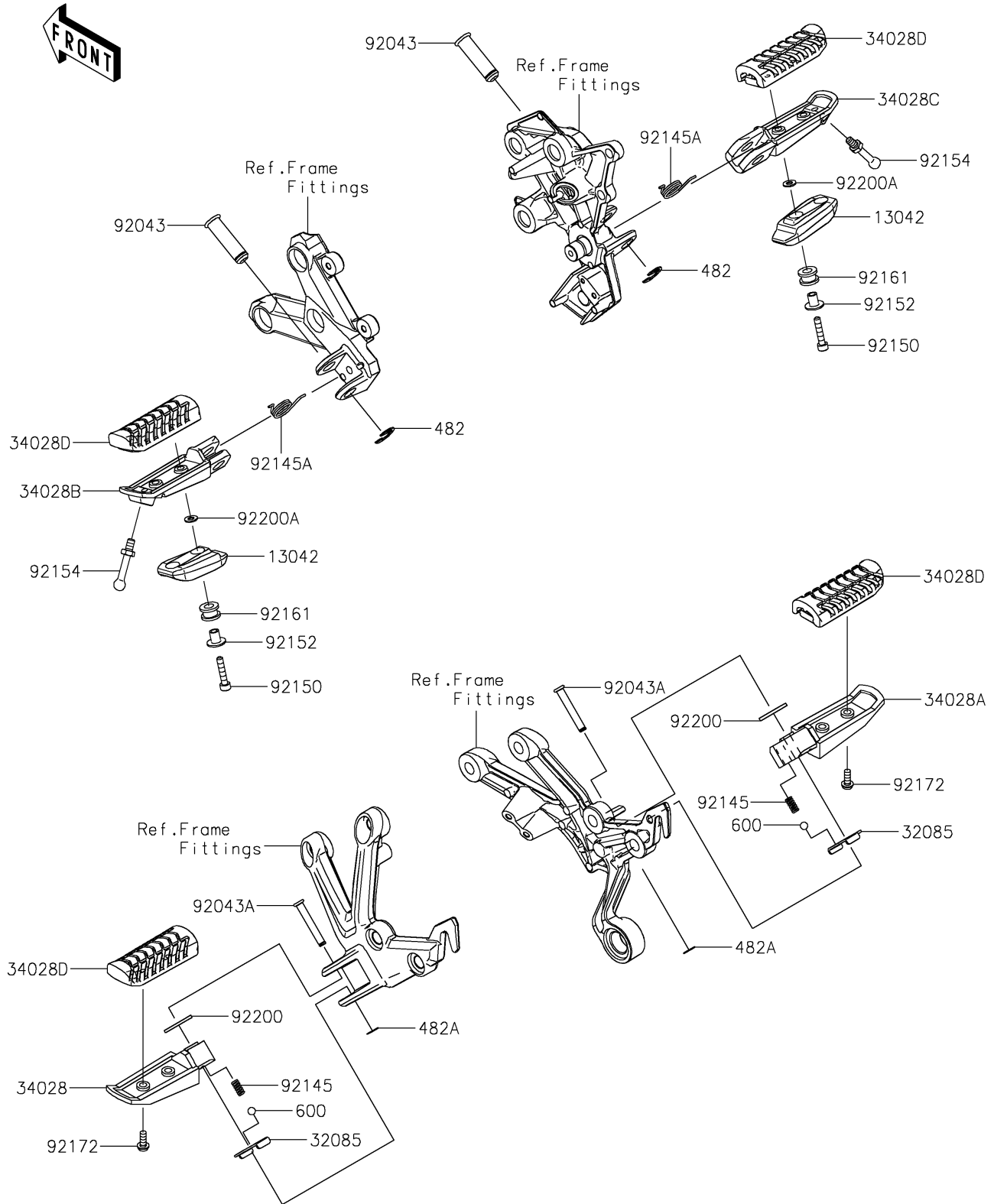


# 2020 NINJA H2® SX SE+ PARTS DIAGRAM

## Footrests

F2160



## 2020 NINJA H2® SX SE+ PARTS LIST

### Footrests

ITEM NAME	PART NUMBER	QUANTITY
WEIGHT,STEP (Ref # 13042)	13042-0773	2
STOPPER,REAR STEP (Ref # 32085)	32085-0047	2
STEP,RR,LH (Ref # 34028)	34028-0314	1
STEP,RR,RH (Ref # 34028A)	34028-0315	1
STEP,FR,LH (Ref # 34028B)	34028-0327	1
STEP,FR,RH (Ref # 34028C)	34028-0328	1
STEP,RUBBER (Ref # 34028D)	34028-0349	4
PIN,12X42.5 (Ref # 92043)	92043-1594	2
PIN,6X40 (Ref # 92043A)	92043-1595	2
SPRING (Ref # 92145)	92145-1319	4
SPRING (Ref # 92145A)	92145-1828	2
BOLT,SOCKET,5X25 (Ref # 92150)	92150-1684	4
COLLAR (Ref # 92152)	92152-1625	4
BOLT,BANK SENSOR,6X10,MEC (Ref # 92154)	92154-3814	2
DAMPER,8X16X8 (Ref # 92161)	92161-2082	4
SCREW,5X14 (Ref # 92172)	92172-0976	4
WASHER,16X26X2.3 (Ref # 92200)	92200-0043	2
WASHER,5.3X11X1 (Ref # 92200A)	92200-1929	4
CIRCLIP-TYPE-E,10MM (Ref # 482)	482EA0100	2
CIRCLIP-TYPE-E (Ref # 482A)	482EA5000	2
BALL-STEEL,1/4 (Ref # 600)	600A0800	4