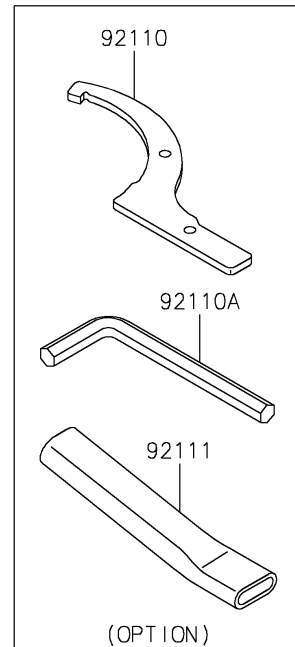
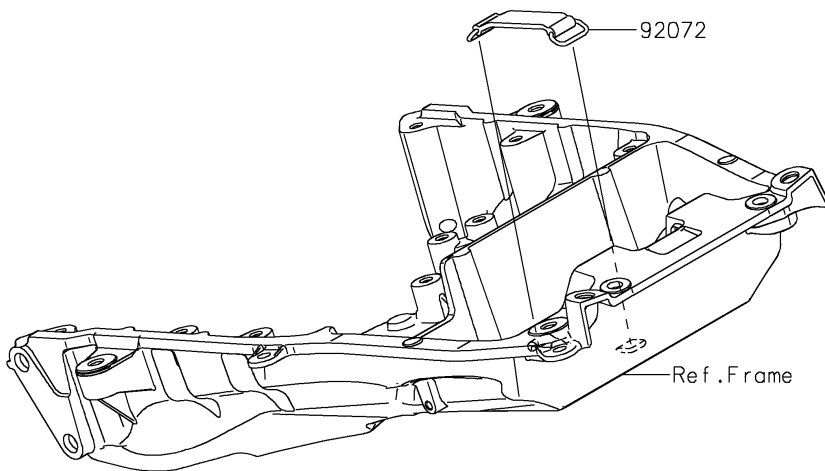
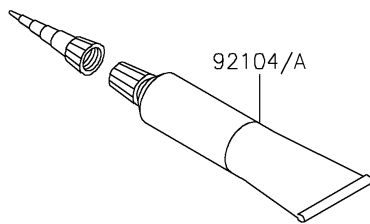
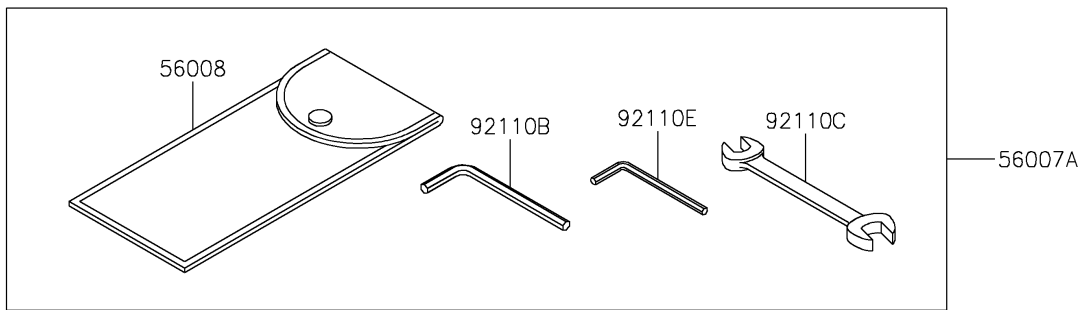
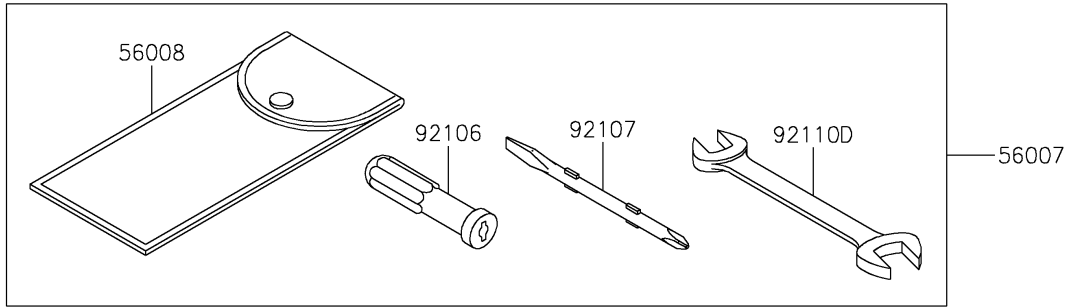


# 2020 NINJA H2® SX SE+ PARTS DIAGRAM

Owner's Tools

F2810



## 2020 NINJA H2® SX SE+ PARTS LIST

### Owner's Tools

ITEM NAME	PART NUMBER	QUANTITY
TOOL-KIT,INCLUDED (Ref # 56007)	56007-0156	1
TOOL-KIT,ONBOARD (Ref # 56007A)	56007-0172	1
BAG,TOOL (Ref # 56008)	56008-1075	2
BAND,L=50 (Ref # 92072)	92072-1419	1
GASKET-LIQUID,TB1211F,CLEAR (Ref # 92104)	92104-0004	1
GASKET-LIQUID,TB1216B,BLACK (Ref # 92104A)	92104-1064	1
GRIP-SCREW DRIVER (Ref # 92106)	92106-1001	1
TOOL-DRIVER,#2PHILLIPS&SLOT (Ref # 92107)	92107-1051	1
TOOL-WRENCH,HOOK,R61.5 (Ref # 92110)	92110-0588	1
TOOL-WRENCH,ALLEN,10MM (Ref # 92110A)	92110-0589	1
TOOL-WRENCH,ALLEN,5MM (Ref # 92110B)	92110-1015	1
TOOL-WRENCH,OPEN END,10X12 (Ref # 92110C)	92110-1152	1
TOOL-WRENCH,OPEN END,14X17 (Ref # 92110D)	92110-1153	1
TOOL-WRENCH,ALLEN,4MM (Ref # 92110E)	92110-3703	1
TOOL-BAR,EXTENSION (Ref # 92111)	92111-0009	1