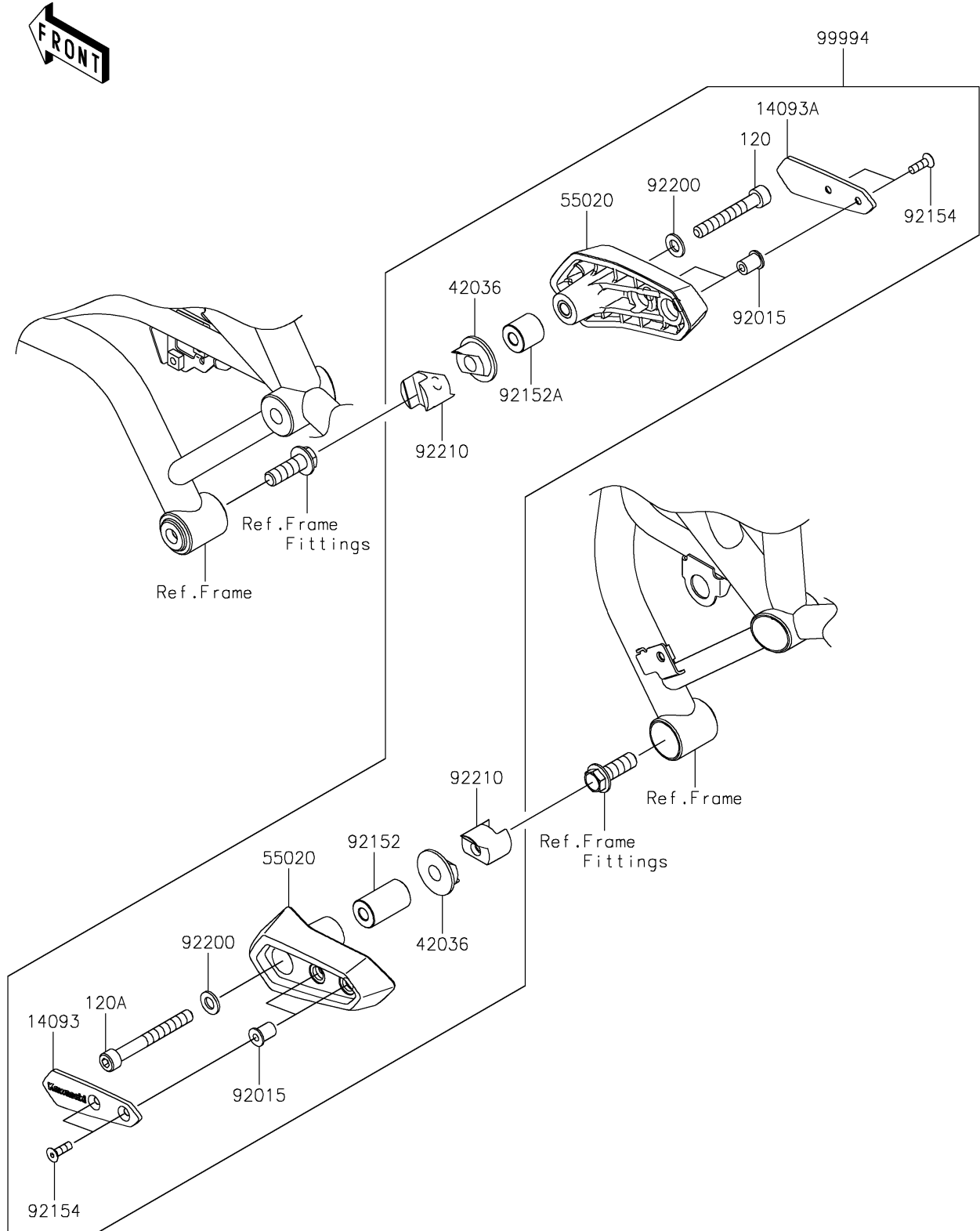


2020 NINJA H2® SX SE+ PARTS DIAGRAM

Accessory(Frame Slider)

F2910



2020 NINJA H2® SX SE+ PARTS LIST

Accessory(Frame Slider)

ITEM NAME	PART NUMBER	QUANTITY
COVER,SLIDER,LH (Ref # 14093)	14093-0350	1
COVER,SLIDER,RH (Ref # 14093A)	14093-0351	1
SLEEVE,11X32X17.5 (Ref # 42036)	42036-0765	2
GUARD (Ref # 55020)	55020-1997	2
NUT,WELL,5MM (Ref # 92015)	92015-1757	4
COLLAR,8.3X20X34.2 (Ref # 92152)	92152-2451	1
COLLAR (Ref # 92152A)	92152-2452	1
BOLT,SOCKET,5X16 (Ref # 92154)	92154-1014	4
WASHER,8.4X16X1.6 (Ref # 92200)	92200-0807	2
NUT,8MM (Ref # 92210)	92210-1421	2
KIT-ACCESSORY,SLIDER (Ref # 99994)	99994-1095	1
BOLT-SOCKET (Ref # 120)	120CA0855	1
BOLT-SOCKET,8X70 (Ref # 120A)	120CA0870	1