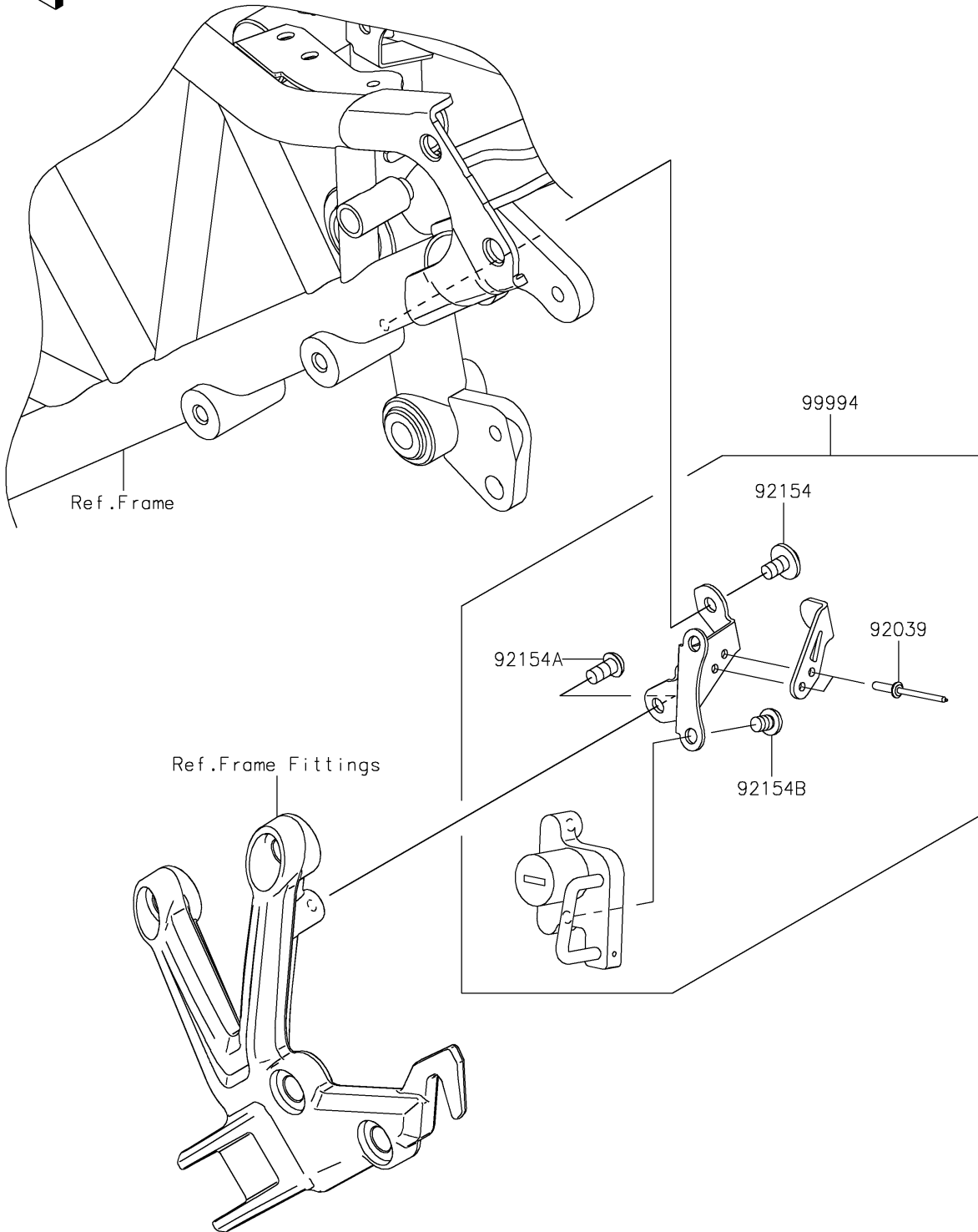


2020 NINJA H2® SX SE+ PARTS DIAGRAM

Accessory(Helmet Lock)

F2910A



2020 NINJA H2® SX SE+ PARTS LIST

Accessory(Helmet Lock)

ITEM NAME	PART NUMBER	QUANTITY
RIVET,HOLE 3.5MM (Ref # 92039)	92039-0089	2
BOLT,SOCKET,6X10 (Ref # 92154)	92154-1834	1
BOLT,6X12 (Ref # 92154A)	92154-2241	1
BOLT,ONE SIDE,6X8 (Ref # 92154B)	92154-2948	2
KIT-ACCESSORY,HELMET LOCK (Ref # 99994)	99994-1079	1