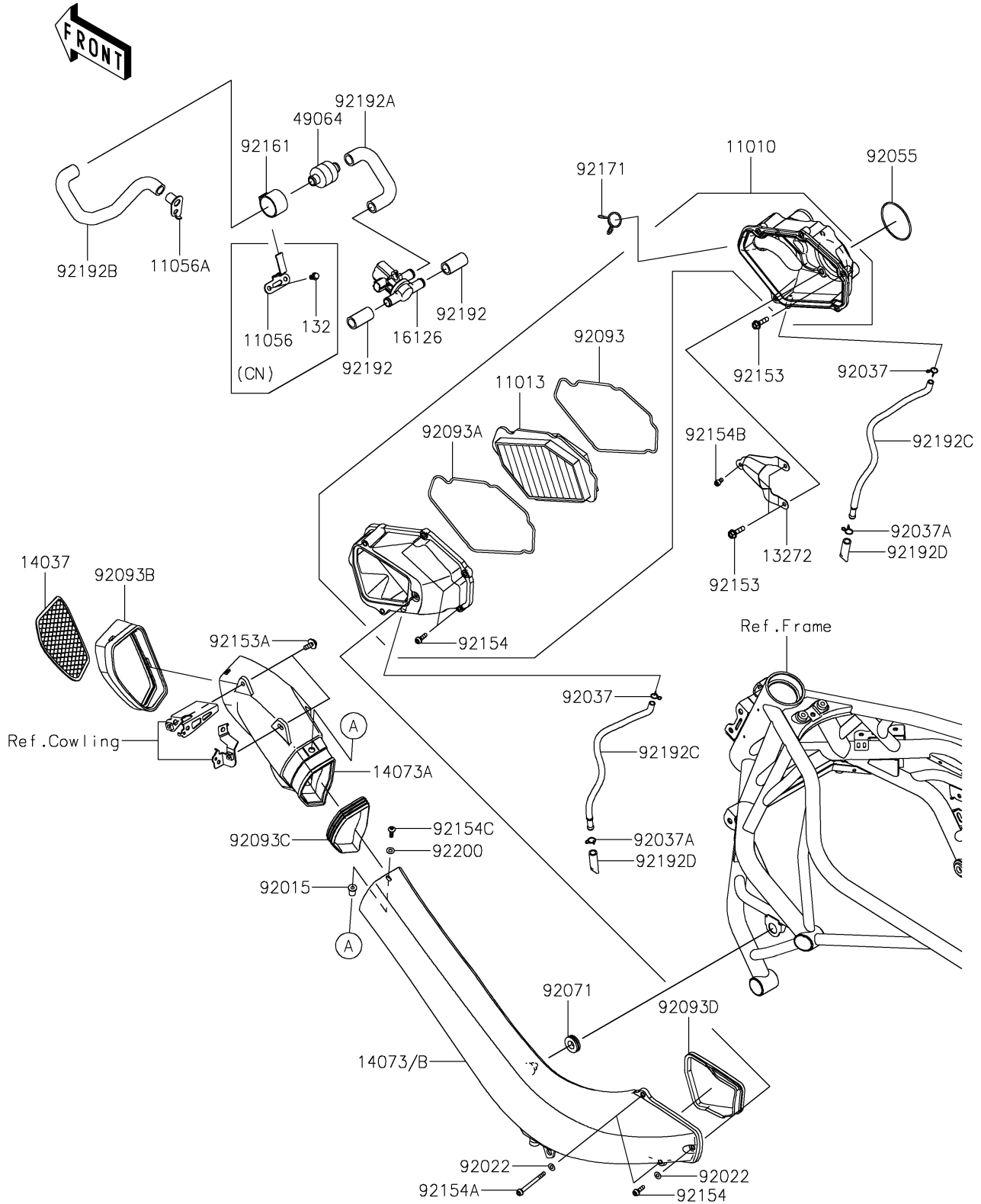


2020 NINJA H2™ CARBON PARTS DIAGRAM

Air Cleaner

E1130



2020 NINJA H2™ CARBON PARTS LIST

Air Cleaner

ITEM NAME	PART NUMBER	QUANTITY
FILTER-ASSY-AIR (Ref # 11010)	11010-0898	1
ELEMENT-AIR FILTER (Ref # 11013)	11013-0776	1
BRACKET,FILTER (Ref # 11056)	11056-4451	1
BRACKET,2ND AIR TUBE (Ref # 11056A)	11056-4479	1
PLATE,BLOW OFF (Ref # 13272)	13272-1850	1
SCREEN (Ref # 14037)	14037-0772	1
DUCT,RAM AIR,RR,M.S.BLACK (Ref # 14073)	14073-0829-660	1
DUCT,RAM AIR,FR (Ref # 14073A)	14073-0869	1
DUCT,RAM AIR,RR,M.S.BLACK (Ref # 14073B)	14073-0870-660	1
VALVE,AIR SWITCHING (Ref # 16126)	16126-0745	1
FILTER-AIR (Ref # 49064)	49064-0010	1
NUT,WELL,5MM (Ref # 92015)	92015-1757	1
WASHER,5.1X10X1.0 (Ref # 92022)	92022-1977	3
CLAMP (Ref # 92037)	92037-1712	2
CLAMP,TUBE (Ref # 92037A)	92037-1972	2
RING-O,60.5X2 (Ref # 92055)	92055-0836	1
GROMMET (Ref # 92071)	92071-056	1
SEAL,ELEMENT (Ref # 92093)	92093-0614	1
SEAL,CASE (Ref # 92093A)	92093-0615	1
SEAL,FR (Ref # 92093B)	92093-0618	1
SEAL,RR (Ref # 92093C)	92093-0619	1
SEAL (Ref # 92093D)	92093-0620	1
BOLT,FLANGED,6X22 (Ref # 92153)	92153-1566	3
BOLT,UPSET-WP,6X16 (Ref # 92153A)	92153-1587	2
BOLT,SOCKET,5X18 (Ref # 92154)	92154-1450	4
BOLT,SOCKET,5X18 (Ref # 92154A)	92154-1452	2
BOLT,SOCKET,5X10 (Ref # 92154B)	92154-1642	1
BOLT,SOCKET,5X16 (Ref # 92154C)	92154-1729	1
DAMPER,FILTER (Ref # 92161)	92161-1713	1

2020 NINJA H2™ CARBON PARTS LIST

Air Cleaner

ITEM NAME	PART NUMBER	QUANTITY
CLAMP (Ref # 92171)	92171-0391	1
TUBE,12X17.6X38 (Ref # 92192)	92192-0887	2
TUBE,VALVE-FILTER (Ref # 92192A)	92192-1413	1
TUBE,FILTER INLET (Ref # 92192B)	92192-1414	1
TUBE,DRAIN L=285 (Ref # 92192C)	92192-1461	2
TUBE,DRAIN,L=40 (Ref # 92192D)	92192-1979	2
WASHER,NYLON,5.3X11.5X0.5 (Ref # 92200)	92200-1480	1
BOLT-FLANGED-SMALL,6X10 (Ref # 132)	132BA0610	2