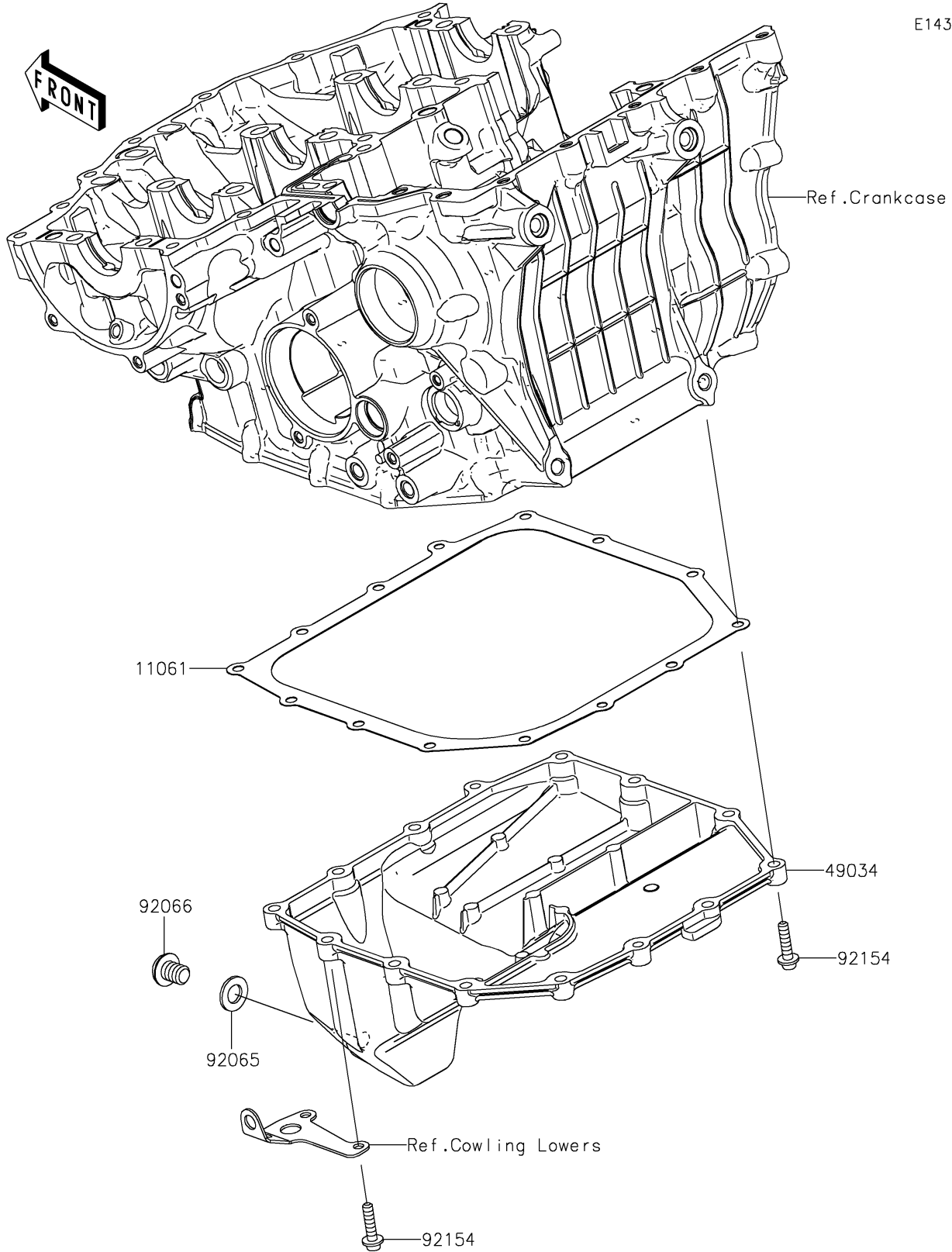


2019 NINJA H2™ PARTS DIAGRAM

Oil Pan

E1434



2019 NINJA H2™ PARTS LIST

Oil Pan

ITEM NAME	PART NUMBER	QUANTITY
-----------	-------------	----------