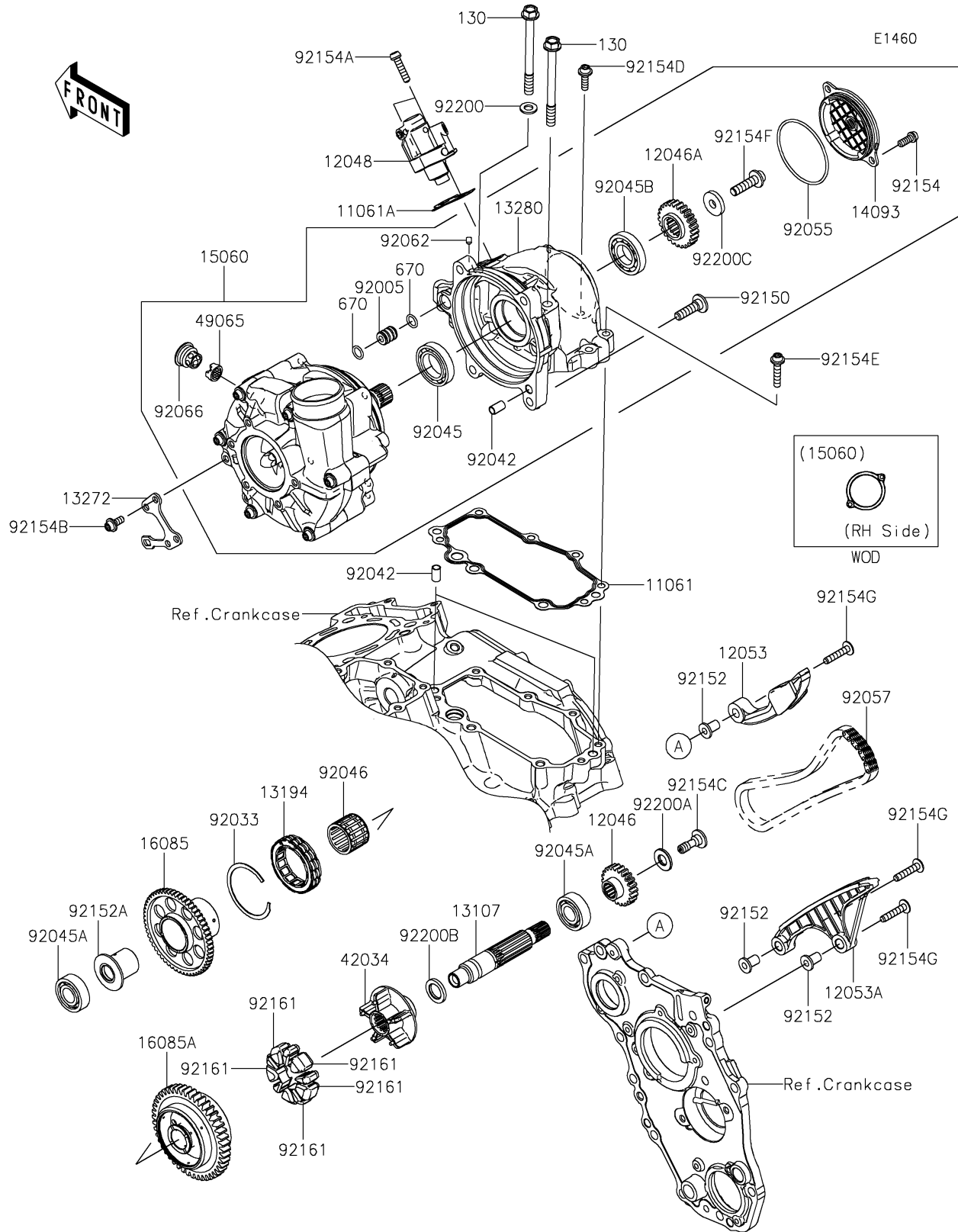


2019 NINJA H2™ PARTS DIAGRAM

Super Charger



2019 NINJA H2™ PARTS LIST

Super Charger

| ITEM NAME | PART NUMBER | QUANTITY |
|---------------------------------------|-------------|----------|
| GASKET,HOLDER (Ref # 11061) | 11061-0948 | 1 |
| GASKET,TENSIONER (Ref # 11061A) | 11061-1279 | 1 |
| SPROCKET,DRIVE,22T (Ref # 12046) | 12046-0581 | 1 |
| SPROCKET,DRIVEN,25T (Ref # 12046A) | 12046-0584 | 1 |
| TENSIONER-ASSY (Ref # 12048) | 12048-0108 | 1 |
| GUIDE-CHAIN,UPP (Ref # 12053) | 12053-0249 | 1 |
| GUIDE-CHAIN,LWR (Ref # 12053A) | 12053-0250 | 1 |
| SHAFT (Ref # 13107) | 13107-0821 | 1 |
| CLUTCH-ONEWAY (Ref # 13194) | 13194-0017 | 1 |
| PLATE (Ref # 13272) | 13272-1849 | 1 |
| HOLDER (Ref # 13280) | 13280-0917 | 1 |
| COVER (Ref # 14093) | 14093-0131 | 1 |
| COMPRESSOR-ASSY (Ref # 15060) | 15060-0008 | 1 |
| GEAR,STARTER,56T (Ref # 16085) | 16085-0633 | 1 |
| GEAR,BALANCER,46T (Ref # 16085A) | 16085-0634 | 1 |
| COUPLING (Ref # 42034) | 42034-0741 | 1 |
| FILTER-OIL (Ref # 49065) | 49065-0041 | 1 |
| FITTING,OIL LINE (Ref # 92005) | 92005-0769 | 1 |
| RING-SNAP (Ref # 92033) | 92033-3731 | 1 |
| PIN,DOWEL,6.3X8X14 (Ref # 92042) | 92042-007 | 3 |
| BEARING-BALL,#6905 (Ref # 92045) | 92045-036 | 1 |
| BEARING-BALL,6202ZC3 (Ref # 92045A) | 92045-0785 | 2 |
| BEARING-BALL (Ref # 92045B) | 92045-1404 | 1 |
| BEARING-NEEDLE,22X32X24 (Ref # 92046) | 92046-0622 | 1 |
| RING-O,2.4X62.6 (Ref # 92055) | 92055-0790 | 1 |
| CHAIN,98XRH2020-78N2 (Ref # 92057) | 92057-0633 | 1 |
| NOZZLE (Ref # 92062) | 92062-0004 | 1 |
| PLUG (Ref # 92066) | 92066-0821 | 1 |
| BOLT,8X30 (Ref # 92150) | 92150-1728 | 4 |

2019 NINJA H2™ PARTS LIST

Super Charger

| ITEM NAME | PART NUMBER | QUANTITY |
|-----------------------------------|-------------|----------|
| COLLAR (Ref # 92152) | 92152-1939 | 3 |
| COLLAR (Ref # 92152A) | 92152-1993 | 1 |
| BOLT,SOCKET,6X16 (Ref # 92154) | 92154-1454 | 2 |
| BOLT,SOCKET,6X25 (Ref # 92154A) | 92154-1458 | 2 |
| BOLT,SOCKET,6X14 (Ref # 92154B) | 92154-1460 | 4 |
| BOLT (Ref # 92154C) | 92154-1476 | 1 |
| BOLT,SOCKET,6X20 (Ref # 92154D) | 92154-1667 | 1 |
| BOLT,SOCKET,6X30 (Ref # 92154E) | 92154-1668 | 5 |
| BOLT,SOCKET,8X30 (Ref # 92154F) | 92154-1679 | 1 |
| BOLT (Ref # 92154G) | 92154-2824 | 3 |
| DAMPER (Ref # 92161) | 92161-0945 | 5 |
| WASHER,8.2X16X1.6 (Ref # 92200) | 92200-0047 | 1 |
| WASHER,10.3X22X2.5 (Ref # 92200A) | 92200-0958 | 1 |
| WASHER,15.2X24X3 (Ref # 92200B) | 92200-1799 | 1 |
| WASHER,8.5X24X4.0 (Ref # 92200C) | 92200-3811 | 1 |
| BOLT-FLANGED,8X90 (Ref # 130) | 130CC0890 | 2 |
| O RING,10MM (Ref # 670) | 670D1510 | 2 |