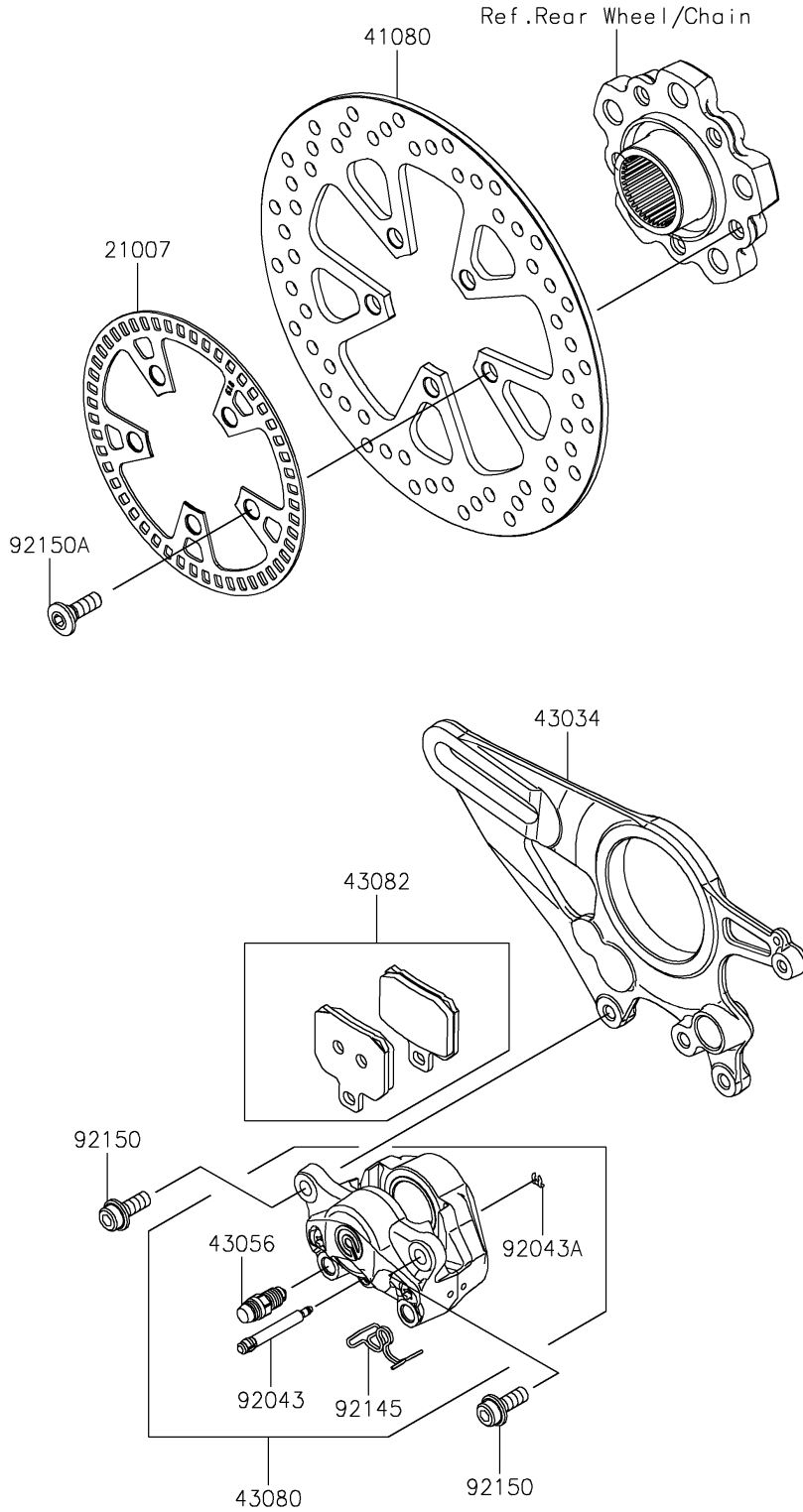


2020 NINJA H2™ CARBON PARTS DIAGRAM

Rear Brake

F2294



2020 NINJA H2™ CARBON PARTS LIST

Rear Brake

ITEM NAME	PART NUMBER	QUANTITY
ROTOR,SENSOR,RR (Ref # 21007)	21007-0632	1
DISC,RR,250MM (Ref # 41080)	41080-0636	1
HOLDER-BRAKE,RR (Ref # 43034)	43034-0108	1
BREATHER-BRAKE (Ref # 43056)	43056-0020	1
CALIPER-SUB-ASSY,RR,GRAY (Ref # 43080)	43080-0176-51J	1
PAD-ASSY-BRAKE (Ref # 43082)	43082-0158	1
PIN,PAD (Ref # 92043)	92043-0863	1
PIN,CLIP (Ref # 92043A)	92043-0864	1
SPRING (Ref # 92145)	92145-1685	1
BOLT,SOCKET,8X20 (Ref # 92150)	92150-1155	2
BOLT,8X25 (Ref # 92150A)	92150-1858	5