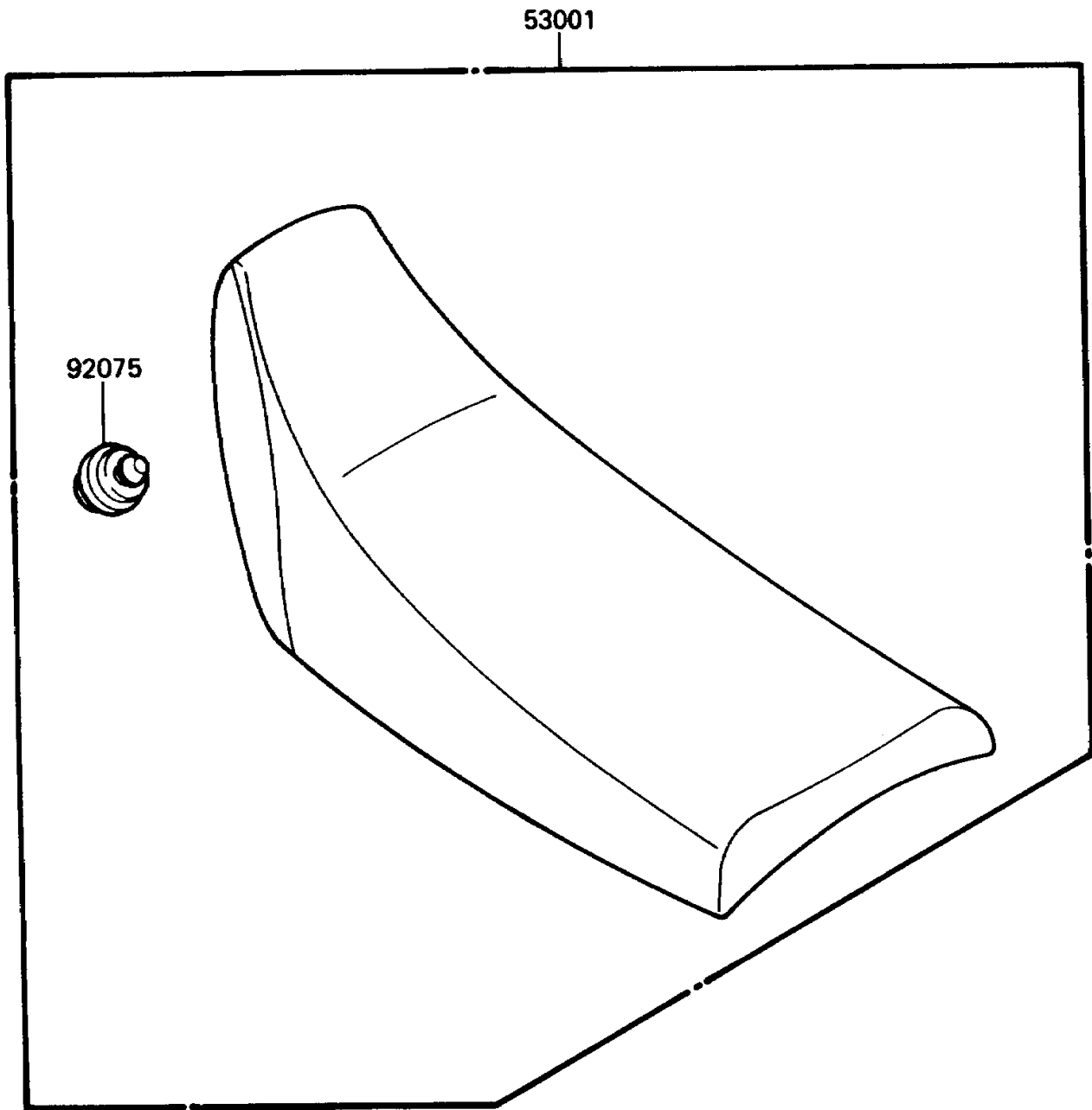


1988 Big Wheel PARTS DIAGRAM

Seat

F2510-0347



1988 Big Wheel PARTS LIST

Seat

ITEM NAME	PART NUMBER	QUANTITY
SEAT-ASSY (Ref # 53001)	53001-1523	1
DAMPER,SEAT (Ref # 92075)	92075-1800	1