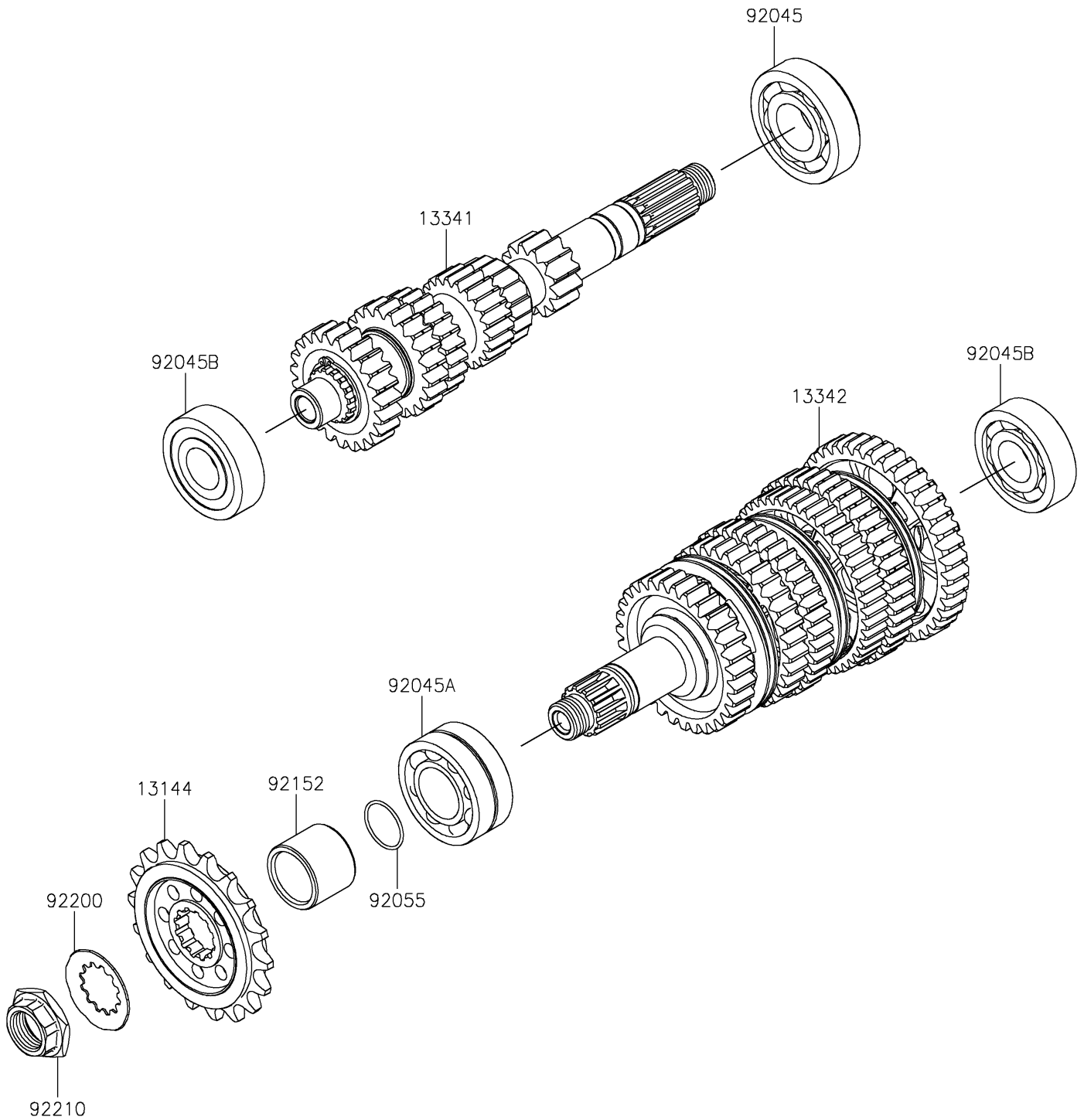


2021 Ninja H2 SX SE+ PARTS DIAGRAM

Transmission

E1361



2021 Ninja H2 SX SE+ PARTS LIST

Transmission

ITEM NAME	PART NUMBER	QUANTITY
-----------	-------------	----------