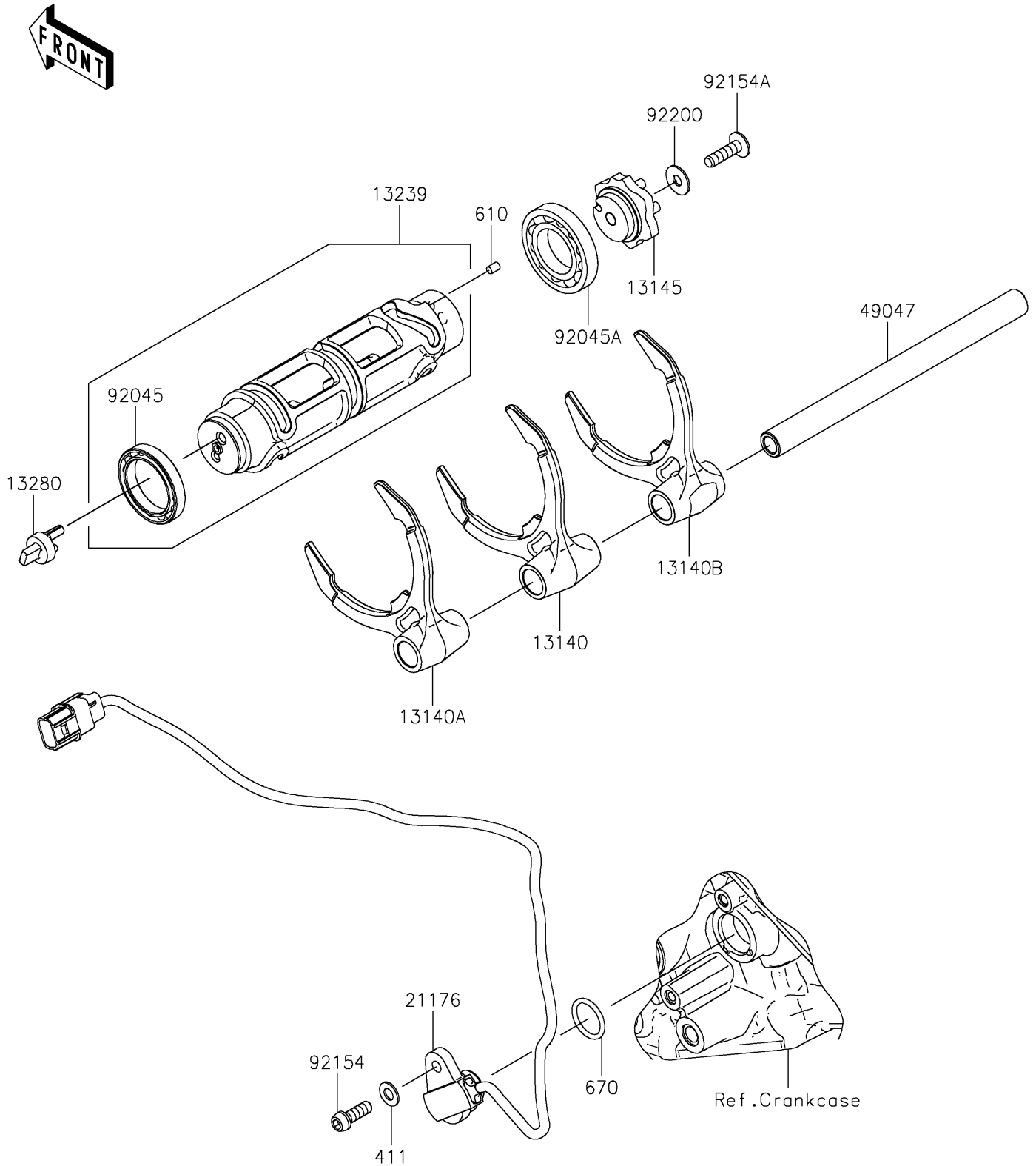


2021 Ninja H2 SX SE+ PARTS DIAGRAM

Gear Change Drum/Shift Fork(s)

E1362



2021 Ninja H2 SX SE+ PARTS LIST

Gear Change Drum/Shift Fork(s)

ITEM NAME	PART NUMBER	QUANTITY
FORK-SHIFT,3RD&4TH (Ref # 13140)	13140-0645	1
FORK-SHIFT,5TH&6TH (Ref # 13140A)	13140-0646	1
FORK-SHIFT,1ST&2ND (Ref # 13140B)	13140-0649	1
CAM-CHANGE DRUM (Ref # 13145)	13145-0572	1
DRUM-ASSY-CHANGE (Ref # 13239)	13239-0605	1
HOLDER (Ref # 13280)	13280-0964	1
SENSOR,GEAR POSITION (Ref # 21176)	21176-0787	1
ROD-SHIFT (Ref # 49047)	49047-0635	1
BEARING-BALL,6806 (Ref # 92045)	92045-0826	1
BEARING-BALL,16005 (Ref # 92045A)	92045-1045	1
BOLT,SOCKET,6X18 (Ref # 92154)	92154-1455	1
BOLT,TORX,6X22 (Ref # 92154A)	92154-2903	1
WASHER,6X16X1 (Ref # 92200)	92200-2145	1
WASHER-PLAIN,6MM (Ref # 411)	411AA0600	1
ROLLER,4X6 (Ref # 610)	610A0406	1
O RING,18MM (Ref # 670)	670D2018	1