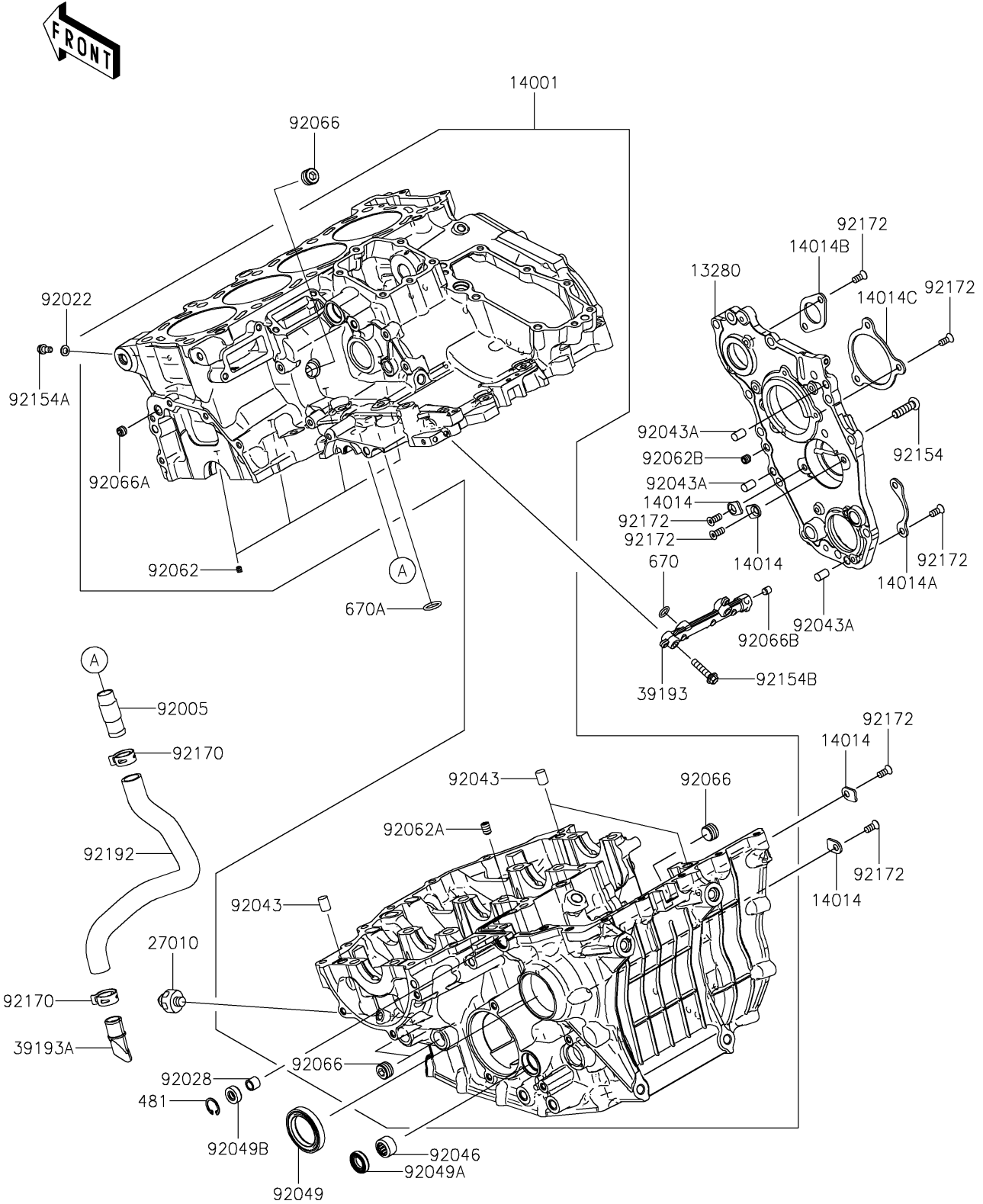


2021 Ninja H2 SX SE+ PARTS DIAGRAM

Crankcase

E1411



2021 Ninja H2 SX SE+ PARTS LIST

Crankcase

ITEM NAME	PART NUMBER	QUANTITY
-----------	-------------	----------