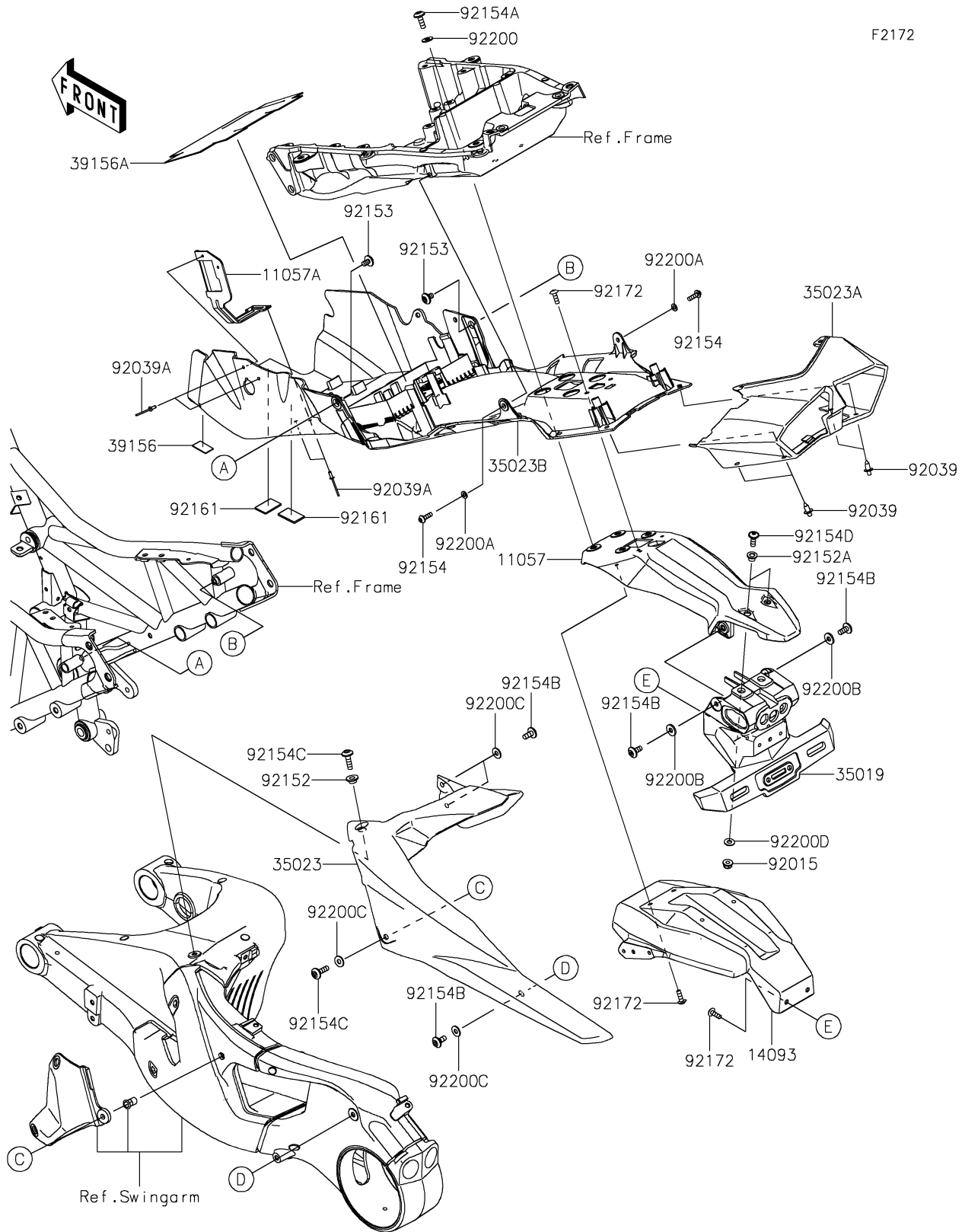


# 2021 Ninja H2 SX SE+ PARTS DIAGRAM

## Rear Fender(s)

F2172



# 2021 Ninja H2 SX SE+ PARTS LIST

Rear Fender(s)

| ITEM NAME | PART NUMBER | QUANTITY |
|-----------|-------------|----------|
|-----------|-------------|----------|