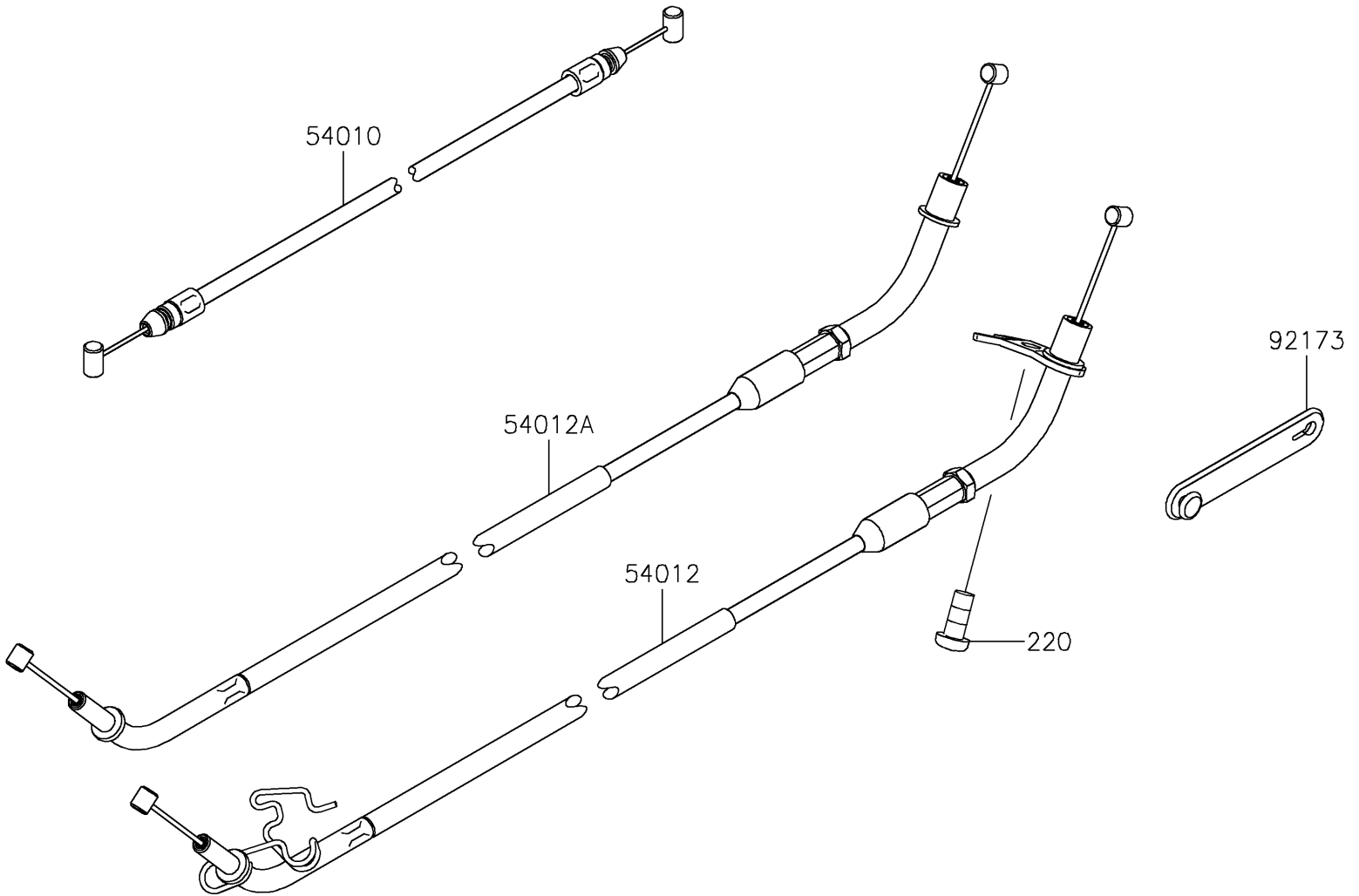


# 2021 Ninja H2 SX SE+ PARTS DIAGRAM

Cables

F2540



# 2021 Ninja H2 SX SE+ PARTS LIST

## Cables

ITEM NAME	PART NUMBER	QUANTITY
-----------	-------------	----------