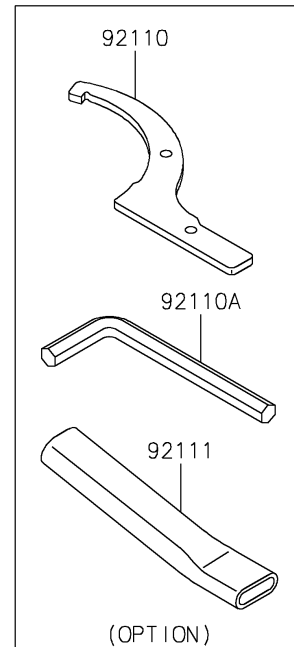
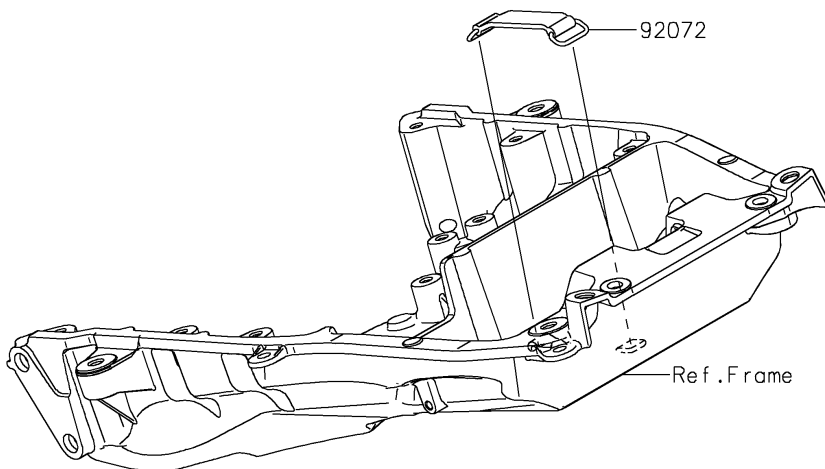
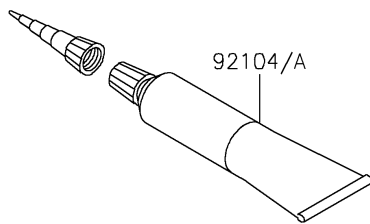
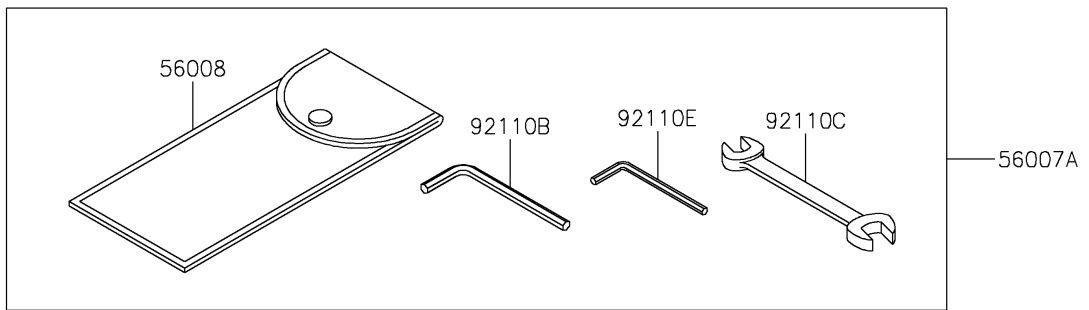
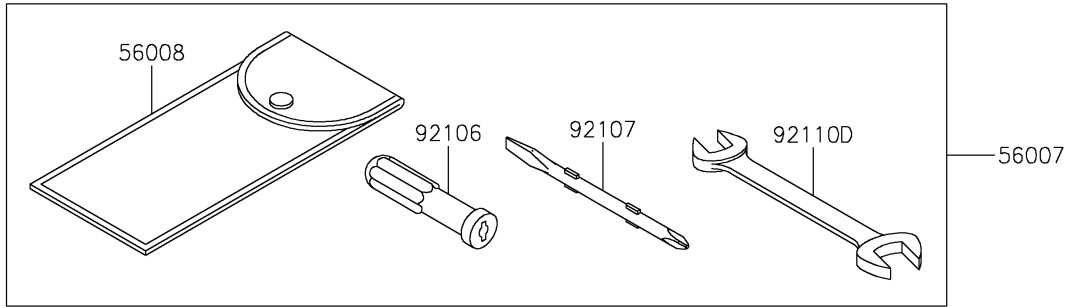


# 2021 Ninja H2 SX SE+ PARTS DIAGRAM

Owner's Tools

F2810



# 2021 Ninja H2 SX SE+ PARTS LIST

Owner's Tools

ITEM NAME	PART NUMBER	QUANTITY
-----------	-------------	----------