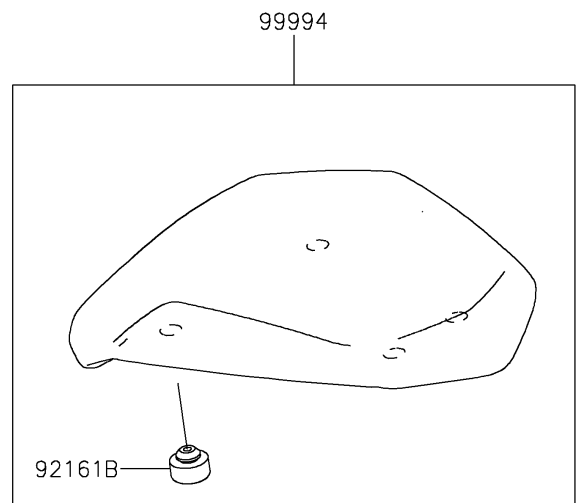
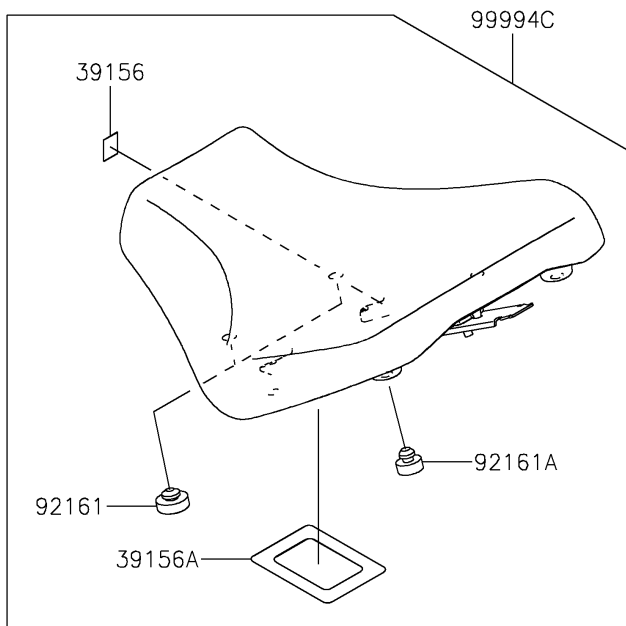
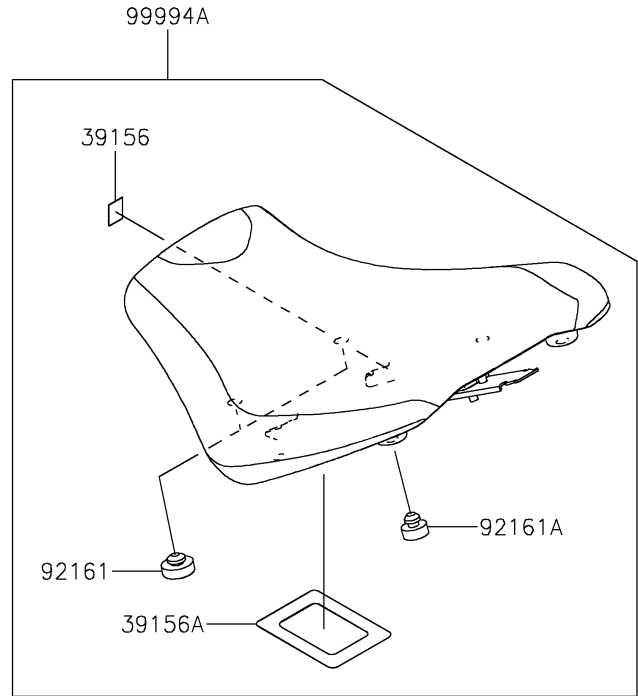
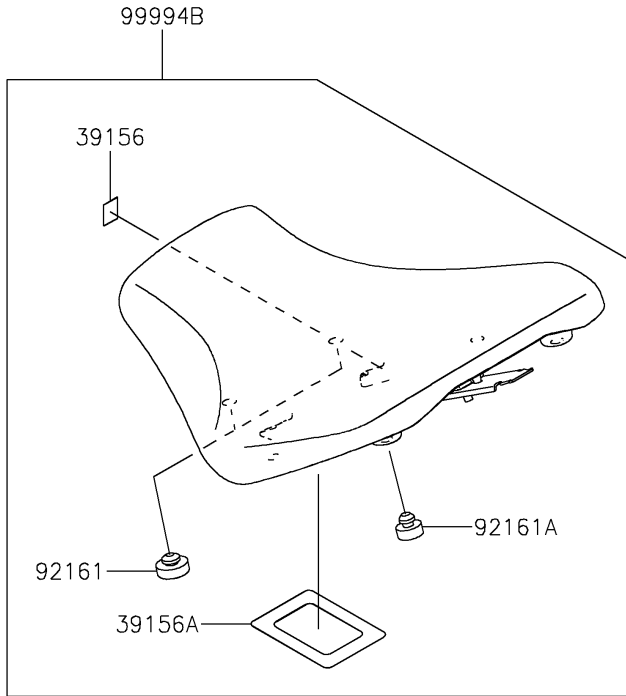


2021 Ninja H2 SX SE+ PARTS DIAGRAM

Accessory(Seat)

F2910B



2021 Ninja H2 SX SE+ PARTS LIST

Accessory(Seat)

ITEM NAME	PART NUMBER	QUANTITY
-----------	-------------	----------