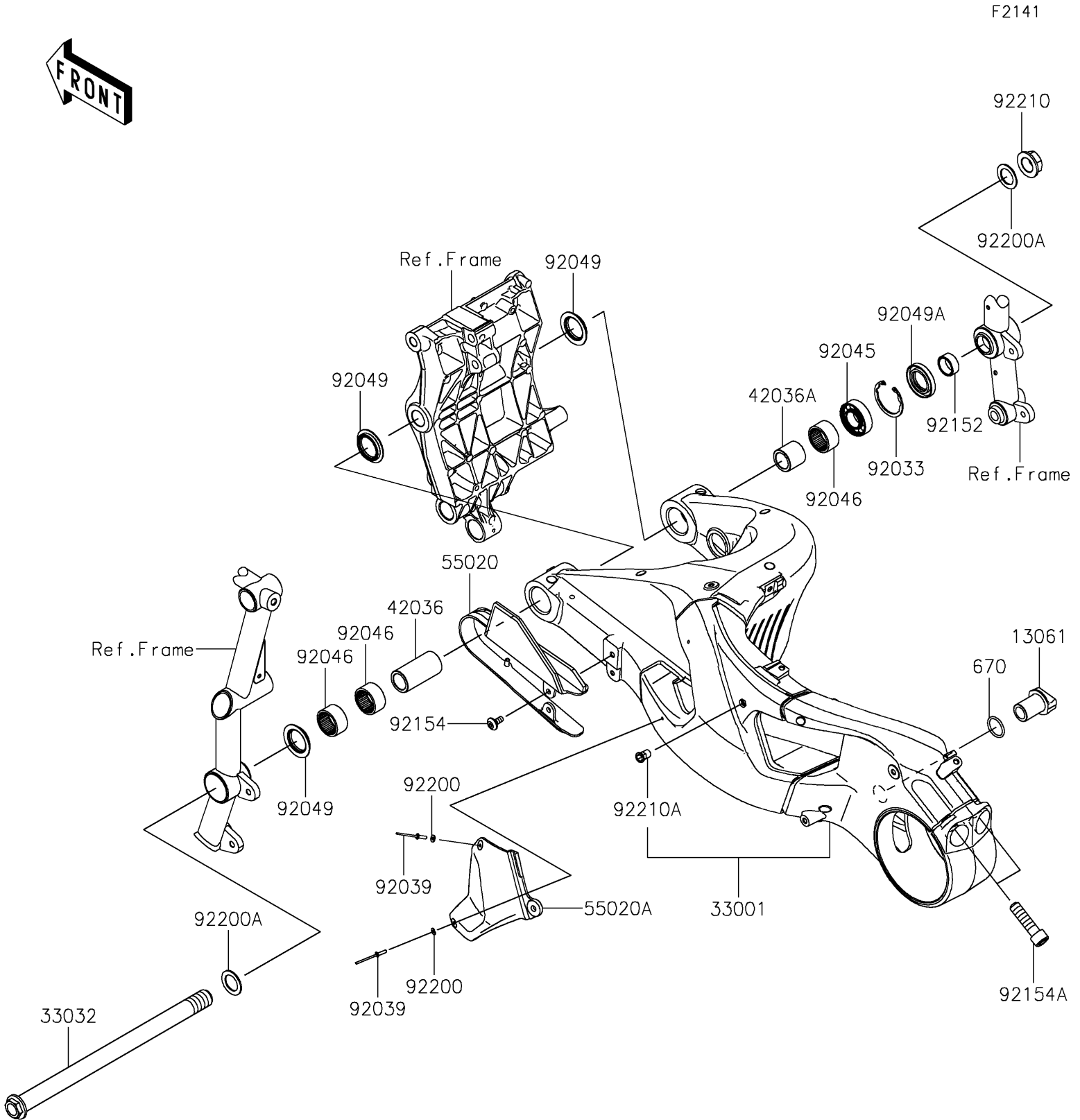


# 2021 NINJA H2® PARTS DIAGRAM

Swingarm



## 2021 NINJA H2® PARTS LIST

### Swingarm

| ITEM NAME                                    | PART NUMBER    | QUANTITY |
|--|----------------|----------|
| BOSS,CALIPER HOLDER (Ref # 13061)            | 13061-0744     | 1        |
| ARM-COMP-SWING,M.F.S.BLACK (Ref # 33001)     | 33001-5186-46R | 1        |
| SHAFT-SWING ARM,20X313 (Ref # 33032)         | 33032-0049     | 1        |
| SLEEVE,20.1X28X56.5 (Ref # 42036)            | 42036-0757     | 1        |
| SLEEVE,20.1X28X25.7 (Ref # 42036A)           | 42036-0762     | 1        |
| GUARD,CHAIN SLIDER (Ref # 55020)             | 55020-1841     | 1        |
| GUARD,SWING ARM,HEEL (Ref # 55020A)          | 55020-1853     | 1        |
| RING-SNAP,42MM (Ref # 92033)                 | 92033-1041     | 1        |
| RIVET (Ref # 92039)                          | 92039-1231     | 2        |
| BEARING-BALL,6004UL11 (Ref # 92045)          | 92045-0017     | 1        |
| BEARING-NEEDLE,7E-HVS 28X34X17 (Ref # 92046) | 92046-0008     | 3        |
| SEAL-OIL,28X34X5.7 (Ref # 92049)             | 92049-1181     | 3        |
| SEAL-OIL,MHSA25X42X6 (Ref # 92049A)          | 92049-1314     | 1        |
| COLLAR,20.2X25X10.5 (Ref # 92152)            | 92152-1948     | 1        |
| BOLT,SOCKET,6X14 (Ref # 92154)               | 92154-1025     | 2        |
| BOLT,SOCKET,12X45 (Ref # 92154A)             | 92154-1552     | 2        |
| WASHER,3.2X8X1 (Ref # 92200)                 | 92200-1677     | 2        |
| WASHER,20.5X31X1.5 (Ref # 92200A)            | 92200-1791     | 2        |
| NUT,FLANGED,20MM (Ref # 92210)               | 92210-0320     | 1        |
| NUT,POP,6MM,L=15 (Ref # 92210A)              | 92210-1397     | 1        |
| O RING,22MM (Ref # 670)                      | 670B2022       | 1        |