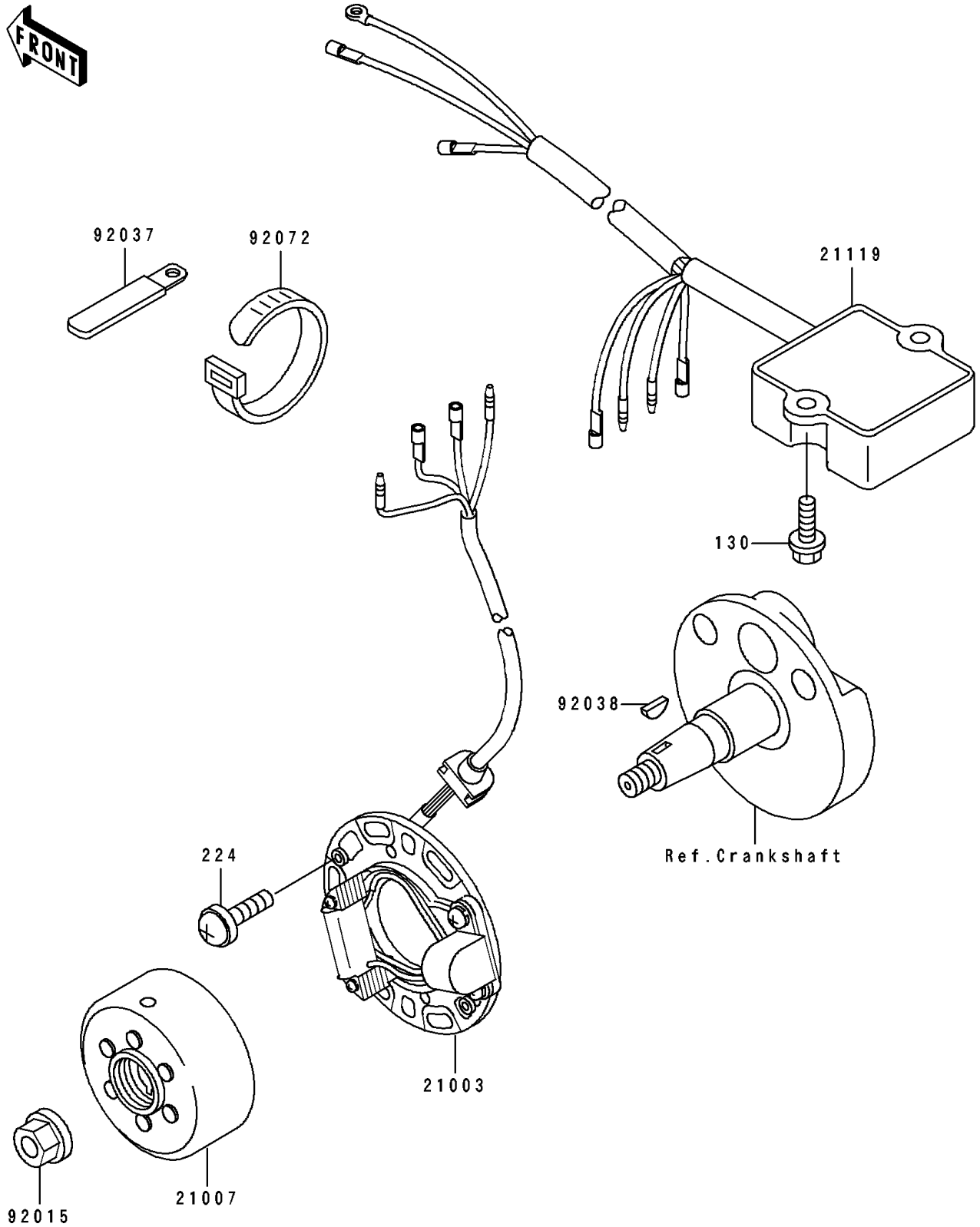


1991 Big Wheel PARTS DIAGRAM

Generator

E1810



1991 Big Wheel PARTS LIST

Generator

ITEM NAME	PART NUMBER	QUANTITY
STATOR (Ref # 21003)	21003-1202	1
ROTOR,MAGNETO (Ref # 21007)	21007-1191	1
IGNITER (Ref # 21119)	21119-1274	1
NUT,FLANGED,10MM (Ref # 92015)	92015-077	1
CLAMP,WIRING HARNESS (Ref # 92037)	92037-1069	1
KEY,WOODRUFF (Ref # 92038)	92038-001	1
BAND,L=123 (Ref # 92072)	92072-030	1
BOLT-FLANGED,6X12 (Ref # 130)	130G0612	2
SCREW-PAN-WP-CROS (Ref # 224)	224B0614	2