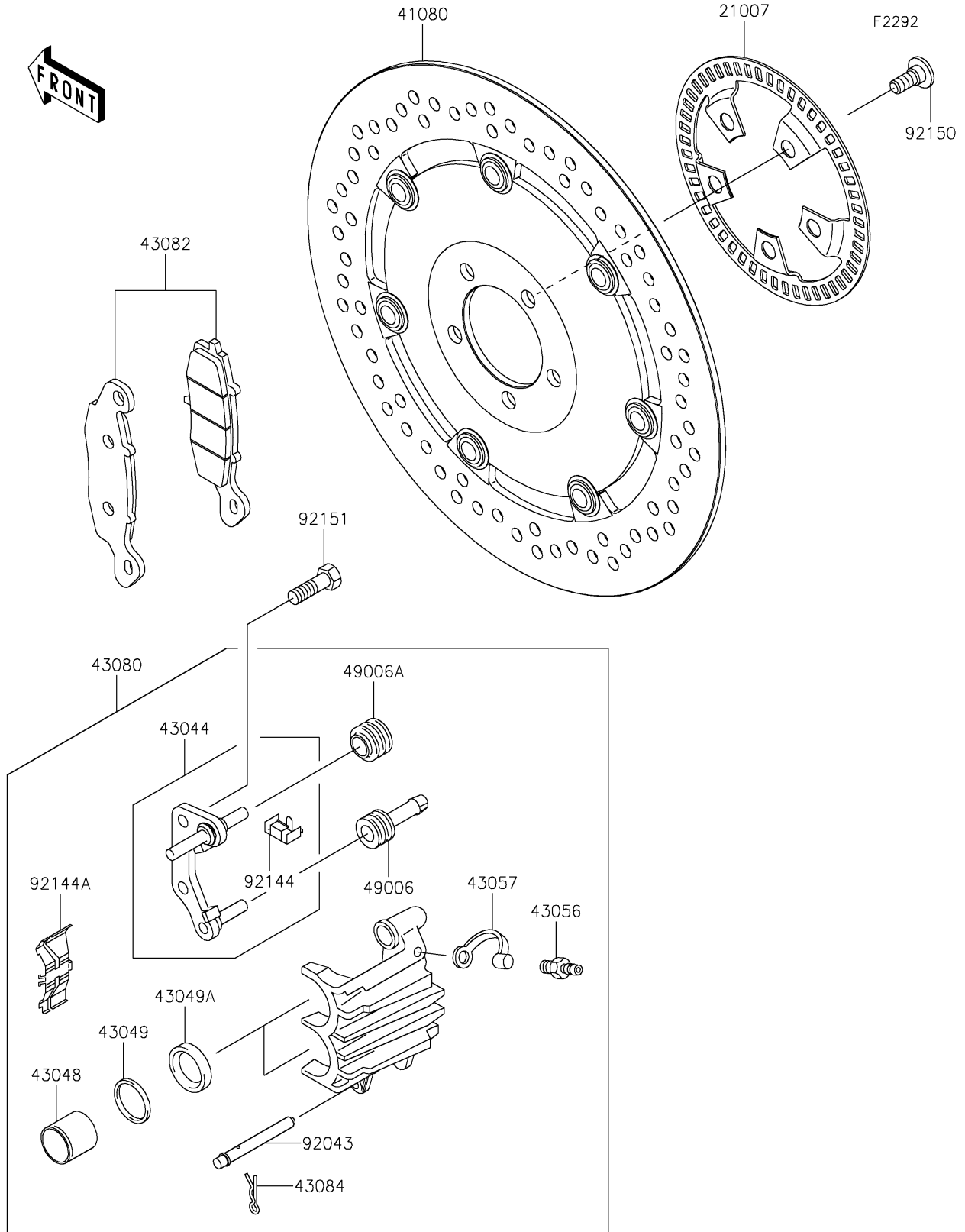


# 2019 W800 CAFE PARTS DIAGRAM

## Front Brake



## 2019 W800 CAFE PARTS LIST

### Front Brake

ITEM NAME	PART NUMBER	QUANTITY
ROTOR,SENSOR,FR (Ref # 21007)	21007-0676	1
DISC,FR,BLACK+SIL (Ref # 41080)	41080-0699-5C	1
HOLDER-COMP-CALIPER,FR,RH (Ref # 43044)	43044-1116	1
PISTON-CALIPER (Ref # 43048)	43048-1073	2
PACKING (Ref # 43049)	43049-1068	2
PACKING,PISTON SEAL (Ref # 43049A)	43049-1092	2
BREATHER-BRAKE (Ref # 43056)	43056-0007	1
CAP-BREATHER (Ref # 43057)	43057-003	1
CALIPER-SUB-ASSY,FR,RH,BLACK (Ref # 43080)	43080-5028-DJ	1
PAD-ASSY-BRAKE (Ref # 43082)	43082-0187	1
CLAMP,PAD (Ref # 43084)	43084-003	1
BOOT,CALIPER (Ref # 49006)	49006-1054	1
BOOT,CALIPER (Ref # 49006A)	49006-1095	1
PIN,PAD (Ref # 92043)	92043-1489	1
SPRING,STOPPER (Ref # 92144)	92144-1831	1
SPRING,PAD,RH (Ref # 92144A)	92144-1844	1
BOLT,SOCKET,8X20 (Ref # 92150)	92150-1760	5
BOLT,FLANGED,10X38 (Ref # 92151)	92151-1288	2