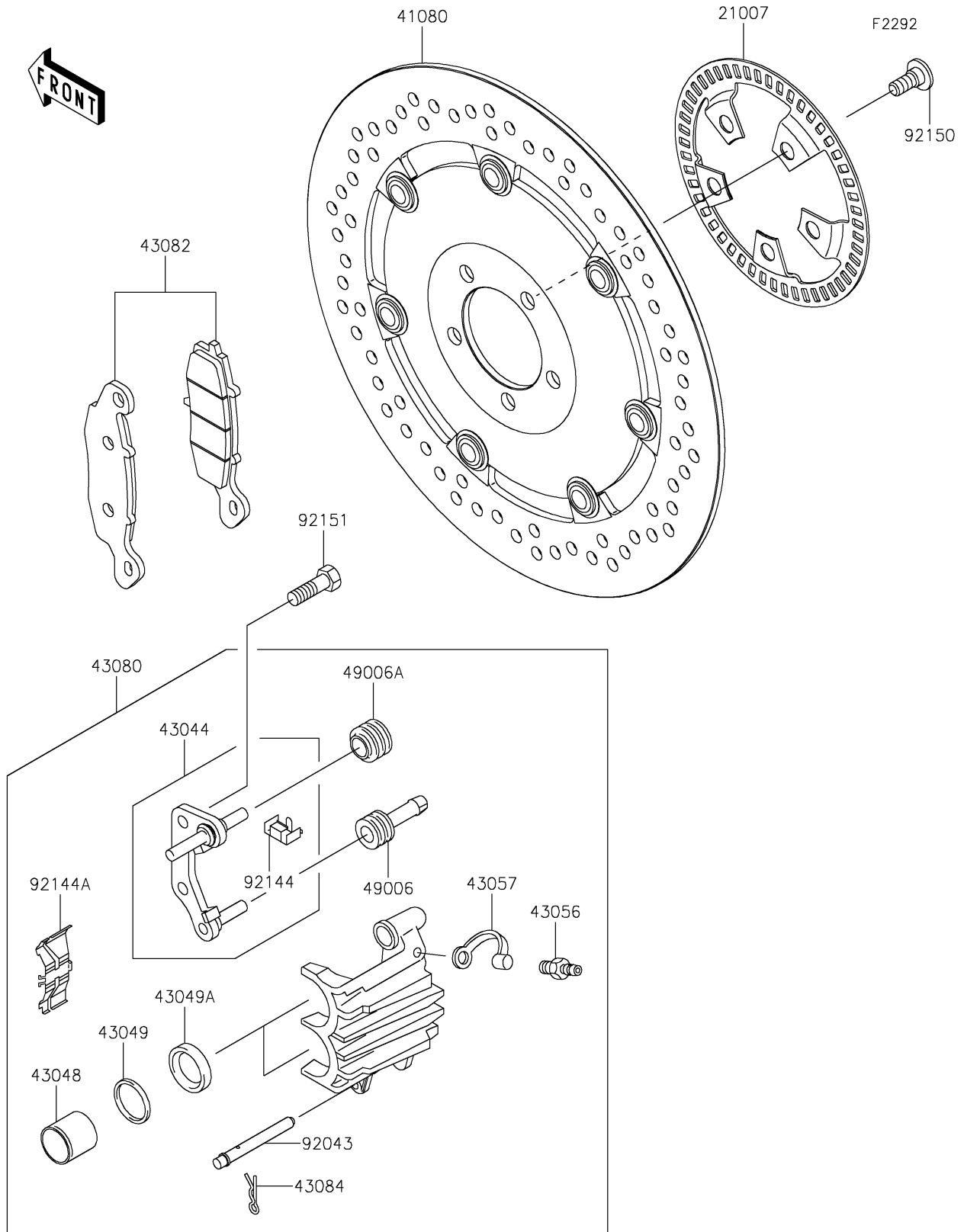


2020 W800 CAFE PARTS DIAGRAM

Front Brake



2020 W800 CAFE PARTS LIST

Front Brake

| ITEM NAME | PART NUMBER | QUANTITY |
|--|---------------|----------|
| ROTOR,SENSOR,FR (Ref # 21007) | 21007-0676 | 1 |
| DISC,FR,BLACK+SIL (Ref # 41080) | 41080-0699-5C | 1 |
| HOLDER-COMP-CALIPER,FR,RH (Ref # 43044) | 43044-1116 | 1 |
| PISTON-CALIPER (Ref # 43048) | 43048-1073 | 2 |
| PACKING (Ref # 43049) | 43049-1068 | 2 |
| PACKING,PISTON SEAL (Ref # 43049A) | 43049-1092 | 2 |
| BREATHER-BRAKE (Ref # 43056) | 43056-0007 | 1 |
| CAP-BREATHER (Ref # 43057) | 43057-003 | 1 |
| CALIPER-SUB-ASSY,FR,RH,BLACK (Ref # 43080) | 43080-5028-DJ | 1 |
| PAD-ASSY-BRAKE (Ref # 43082) | 43082-0187 | 1 |
| CLAMP,PAD (Ref # 43084) | 43084-003 | 1 |
| BOOT,CALIPER (Ref # 49006) | 49006-1054 | 1 |
| BOOT,CALIPER (Ref # 49006A) | 49006-1095 | 1 |
| PIN,PAD (Ref # 92043) | 92043-1489 | 1 |
| SPRING,STOPPER (Ref # 92144) | 92144-1831 | 1 |
| SPRING,PAD,RH (Ref # 92144A) | 92144-1844 | 1 |
| BOLT,SOCKET,8X20 (Ref # 92150) | 92150-1760 | 5 |
| BOLT,FLANGED,10X38 (Ref # 92151) | 92151-1288 | 2 |