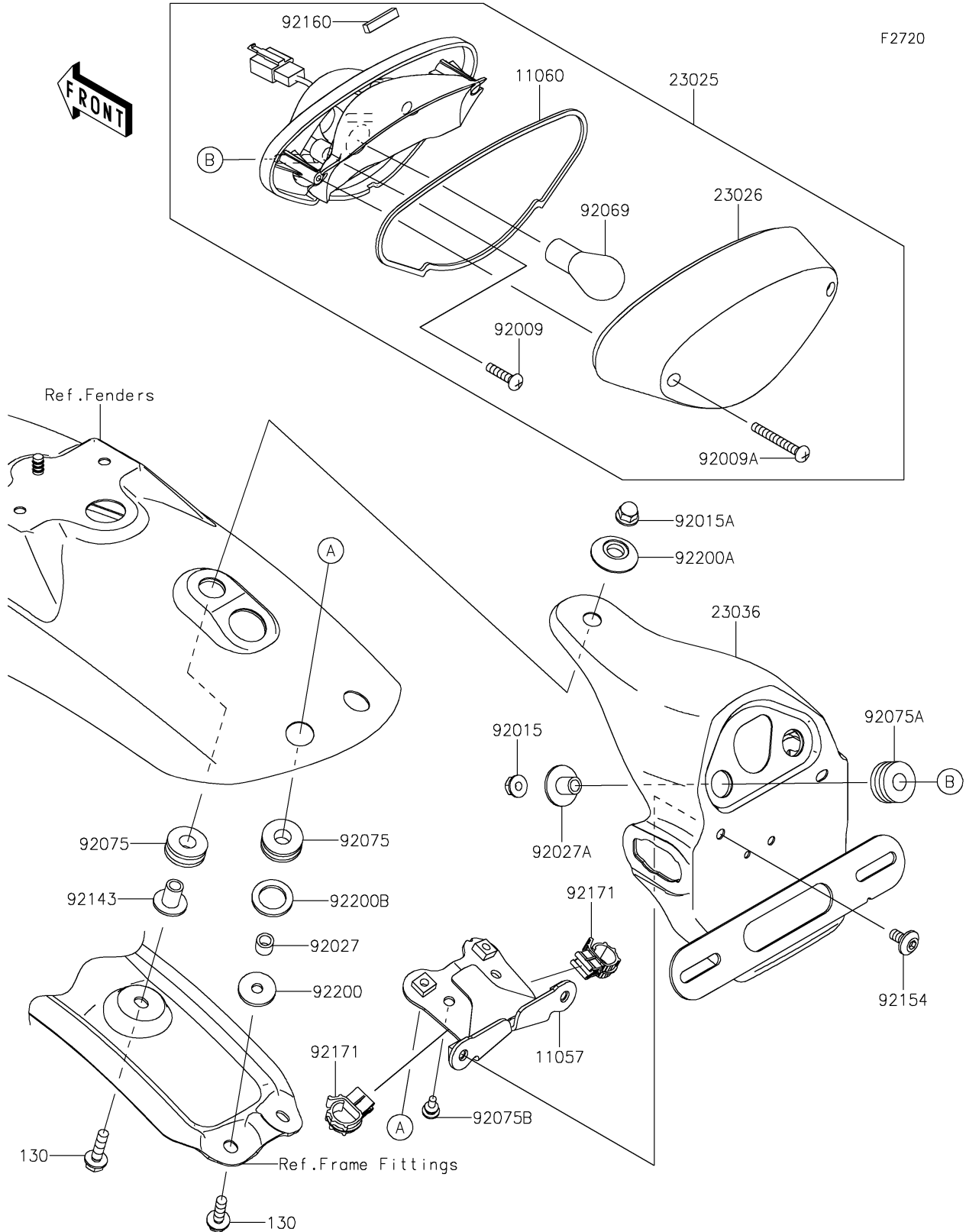


# 2019 W800 CAFE PARTS DIAGRAM

Taillight(s)



## 2019 W800 CAFE PARTS LIST

### Taillight(s)

ITEM NAME	PART NUMBER	QUANTITY
BRACKET (Ref # 11057)	11057-2629	1
GASKET, TAIL LAMP LENS (Ref # 11060)	11060-1901	1
LAMP-TAIL (Ref # 23025)	23025-0388	1
LENS, TAIL LAMP (Ref # 23026)	23026-1222	1
BRACKET-TAIL LAMP (Ref # 23036)	23036-0027	1
SCREW, TAPPING, 4X12 (Ref # 92009)	92009-1381	2
SCREW, TAPPING, 4X35 (Ref # 92009A)	92009-1687	2
NUT, FLANGED, 6MM, BLACK (Ref # 92015)	92015-1233	2
NUT, CAP, 6MM (Ref # 92015A)	92015-1385	1
COLLAR, 6.8X10X8.5 (Ref # 92027)	92027-129	2
COLLAR, L=13.1, BLACK (Ref # 92027A)	92027-1450	2
BULB, 12V 21/5W (Ref # 92069)	92069-063	1
DAMPER (Ref # 92075)	92075-1185	3
DAMPER, 10X24X12 (Ref # 92075A)	92075-1690	2
DAMPER, 6X10X15 (Ref # 92075B)	92075-1808	2
COLLAR, L=15.6 (Ref # 92143)	92143-1041	1
BOLT, SOCKET, 6X12 (Ref # 92154)	92154-2706	2
DAMPER (Ref # 92160)	92160-1998	1
CLAMP, EDGE CLIP (Ref # 92171)	92171-1722	2
WASHER, 6.5X22X2.3 (Ref # 92200)	92200-0271	2
WASHER (Ref # 92200A)	92200-1153	1
WASHER, 16X24X2.3 (Ref # 92200B)	92200-2213	2
BOLT-FLANGED, 6X22 (Ref # 130)	130BA0622	3