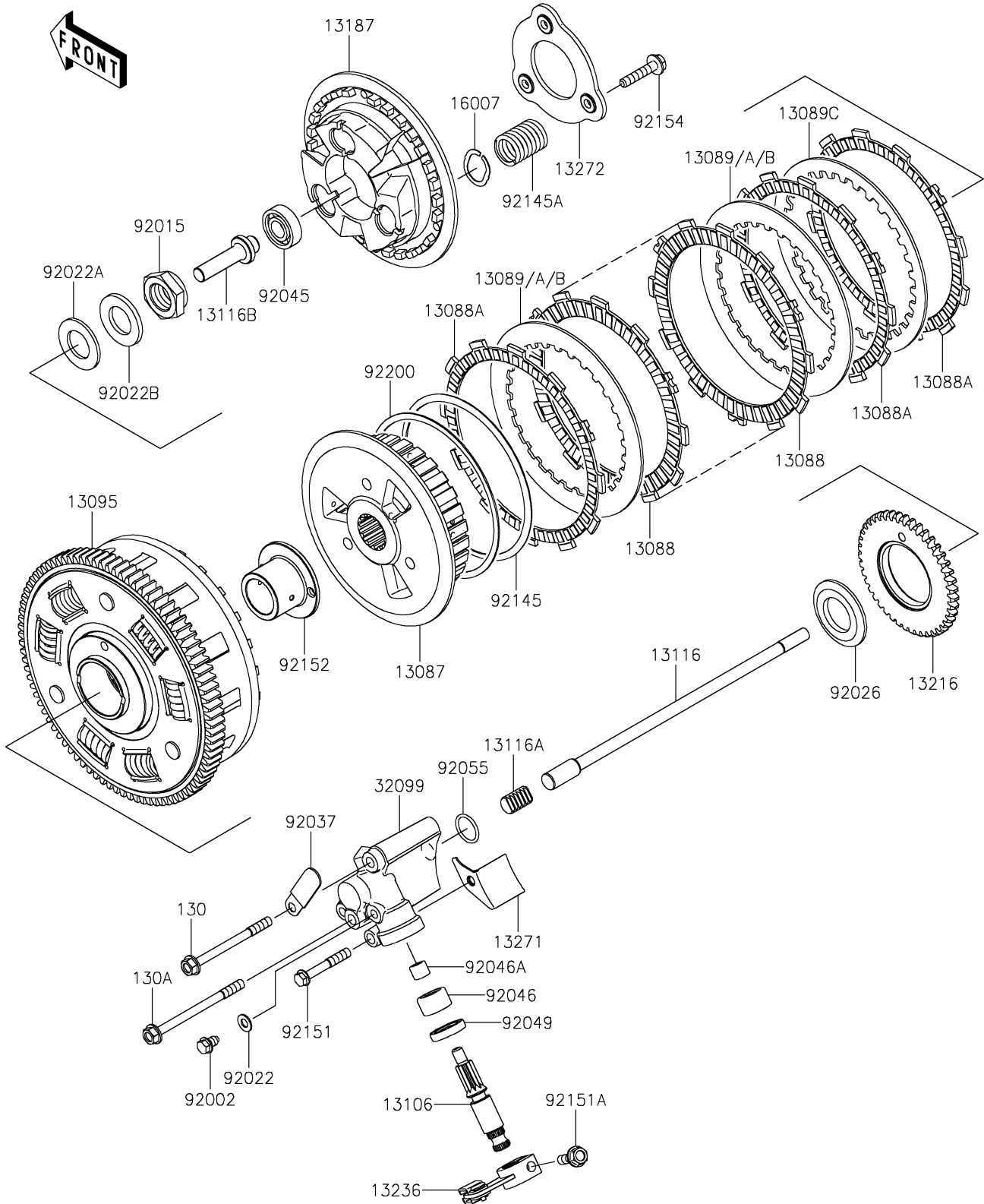


2021 W800 PARTS DIAGRAM

Clutch

E1350



2021 W800 PARTS LIST

Clutch

ITEM NAME	PART NUMBER	QUANTITY
HUB-CLUTCH (Ref # 13087)	13087-0581	1
PLATE-FRICTION (Ref # 13088)	13088-0569	4
PLATE-FRICTION (Ref # 13088A)	13088-0601	3
PLATE-CLUTCH,T=2.3 (Ref # 13089)	13089-0027	AR
PLATE-CLUTCH,T=2.0,28T (Ref # 13089A)	13089-0047	5
PLATE-CLUTCH,T=1.6 (Ref # 13089B)	13089-0048	AR
PLATE-CLUTCH,T=2.0,30T (Ref # 13089C)	13089-0050	1
HOUSING-COMP-CLUTCH (Ref # 13095)	13095-0594	1
SHAFT-CLUTCH RELEASE (Ref # 13106)	13106-1068	1
ROD-PUSH (Ref # 13116)	13116-0042	1
ROD-PUSH,CLUTCH,6T (Ref # 13116A)	13116-1040	1
ROD-PUSH,CLUTCH POSITION (Ref # 13116B)	13116-1164	1
PLATE-CLUTCH OPERATING (Ref # 13187)	13187-0029	1
GEAR-COMP,OIL PUMP (Ref # 13216)	13216-1177	1
LEVER-COMP,CLUTCH RELEASE (Ref # 13236)	13236-1331	1
PLATE (Ref # 13271)	13271-1179	1
PLATE (Ref # 13272)	13272-2742	1
SEAT-SPRING (Ref # 16007)	16007-0736	3
CASE,CLUTCH RELEASE (Ref # 32099)	32099-1204	1
BOLT,FLANGED-SMALL,6X7X2.5 (Ref # 92002)	92002-1357	1
NUT,20MM (Ref # 92015)	92015-1555	1
WASHER,6.1X12X1 (Ref # 92022)	92022-077	1
WASHER,20.3X36X2.3 (Ref # 92022A)	92022-1116	1
WASHER,20.3X36X3.7 (Ref # 92022B)	92022-1868	1
SPACER,25X47X4 (Ref # 92026)	92026-1242	1
CLAMP,L=45 (Ref # 92037)	92037-1539	1
BEARING-BALL,6001C3ML01 (Ref # 92045)	92045-1235	1
BEARING-NEEDLE,HK1412FM (Ref # 92046)	92046-0043	1
BEARING-NEEDLE,HK0709 (Ref # 92046A)	92046-1142	1

2021 W800 PARTS LIST

Clutch

ITEM NAME	PART NUMBER	QUANTITY
SEAL-OIL,TC14245 (Ref # 92049)	92049-1520	1
RING-O,16.8X1.9 (Ref # 92055)	92055-1598	1
SPRING (Ref # 92145)	92145-1250	1
SPRING (Ref # 92145A)	92145-1911	3
BOLT,6X40 (Ref # 92151)	92151-1131	1
BOLT,FLANGED,6X20 (Ref # 92151A)	92151-1226	1
COLLAR,CLUTCH GEAR (Ref # 92152)	92152-1146	1
BOLT (Ref # 92154)	92154-3982	3
WASHER,T=1.0 (Ref # 92200)	92200-1579	1
BOLT-FLANGED,6X70 (Ref # 130)	130CD0670	1
BOLT-FLANGED,6X80 (Ref # 130A)	130CD0680	1