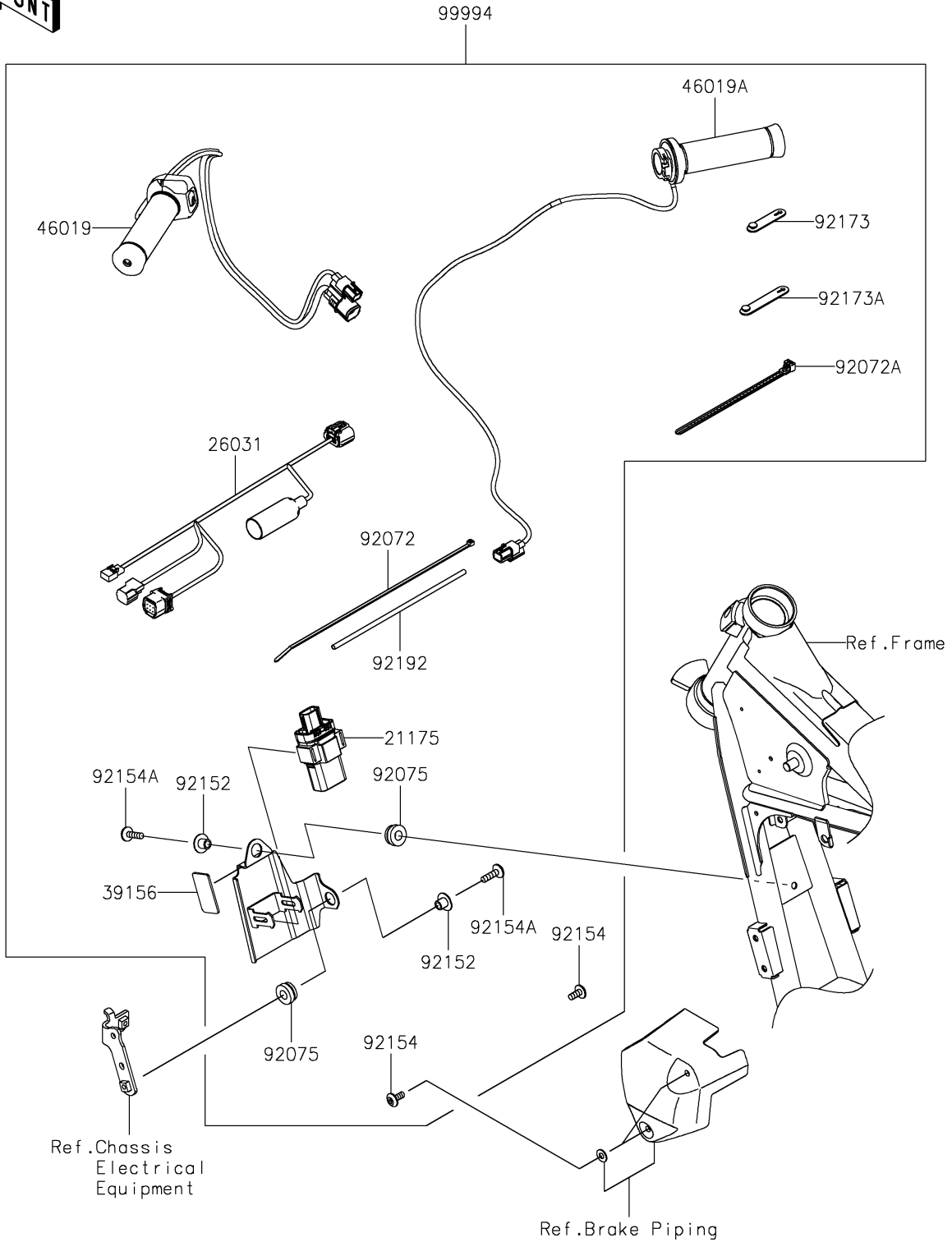


2021 W800 PARTS DIAGRAM

Accessory(Grip Heater)

F2910B



2021 W800 PARTS LIST

Accessory(Grip Heater)

ITEM NAME	PART NUMBER	QUANTITY
CONTROL UNIT-ELECTRONIC,GH (Ref # 21175)	21175-1329	1
HARNESS (Ref # 26031)	26031-2580	1
PAD,25X45X2 (Ref # 39156)	39156-2532	1
GRIP-ASSY,HEATER,LH (Ref # 46019)	46019-0085	1
GRIP-ASSY,HEATER,RH (Ref # 46019A)	46019-0101	1
BAND (Ref # 92072)	92072-0863	2
BAND,L=140 (Ref # 92072A)	92072-1293	2
DAMPER (Ref # 92075)	92075-277	2
COLLAR (Ref # 92152)	92152-2620	2
BOLT,SOCKET,6X14 (Ref # 92154)	92154-1807	4
BOLT,SOCKET,6X22 (Ref # 92154A)	92154-2234	2
CLAMP,RUBBER PLATE (Ref # 92173)	92173-1229	3
CLAMP (Ref # 92173A)	92173-1526	3
TUBE (Ref # 92192)	92192-2283	2
GRIP HEATER (Ref # 99994)	99994-1458	1