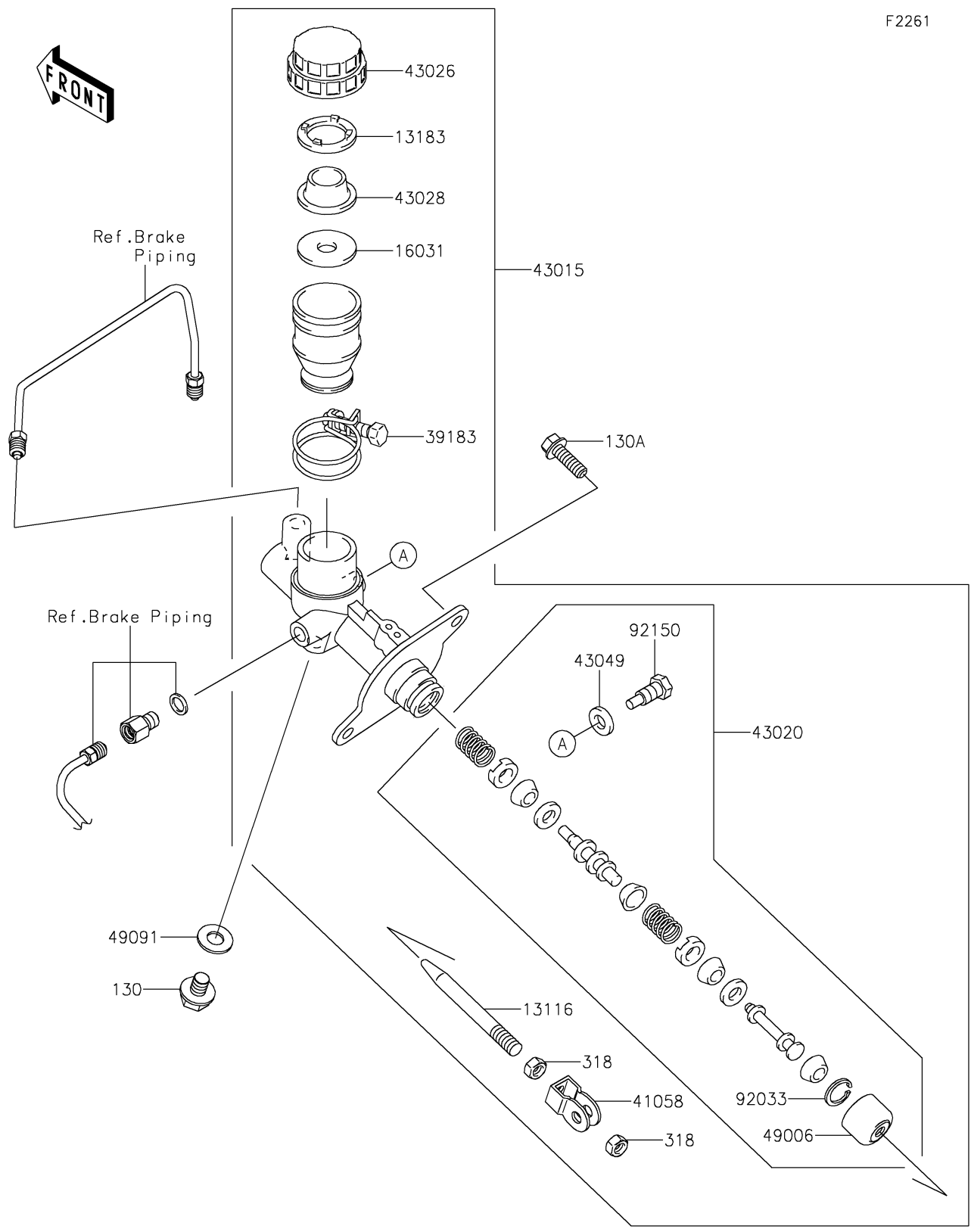


2020 TERYX® LE PARTS DIAGRAM

Master Cylinder

F2261



2020 TERYX® LE PARTS LIST

Master Cylinder

ITEM NAME	PART NUMBER	QUANTITY
ROD-PUSH (Ref # 13116)	13116-1134	1
PLATE (Ref # 13183)	13183-1306	1
FLOAT (Ref # 16031)	16031-1069	1
BAND-ASSY (Ref # 39183)	39183-1055	1
RODEND-BRAKE (Ref # 41058)	41058-1057	1
CYLINDER-ASSY-MASTER (Ref # 43015)	43015-1683	1
PISTON-COMP-BRAKE (Ref # 43020)	43020-1124	1
CAP-BRAKE (Ref # 43026)	43026-1067	1
DIAPHRAGM (Ref # 43028)	43028-1078	1
PACKING (Ref # 43049)	43049-1065	1
BOOT (Ref # 49006)	49006-1245	1
WASHER-SEAL,10.1X14.5X1.5 (Ref # 49091)	49091-0001	1
RING-SNAP (Ref # 92033)	92033-1255	1
BOLT,STOP (Ref # 92150)	92150-1165	1
BOLT-FLANGED,10X12 (Ref # 130)	130AA1012	1
BOLT-FLANGED,8X25 (Ref # 130A)	130BA0825	2
NUT-HEX-SMALL,8MM (Ref # 318)	318BA0800	2