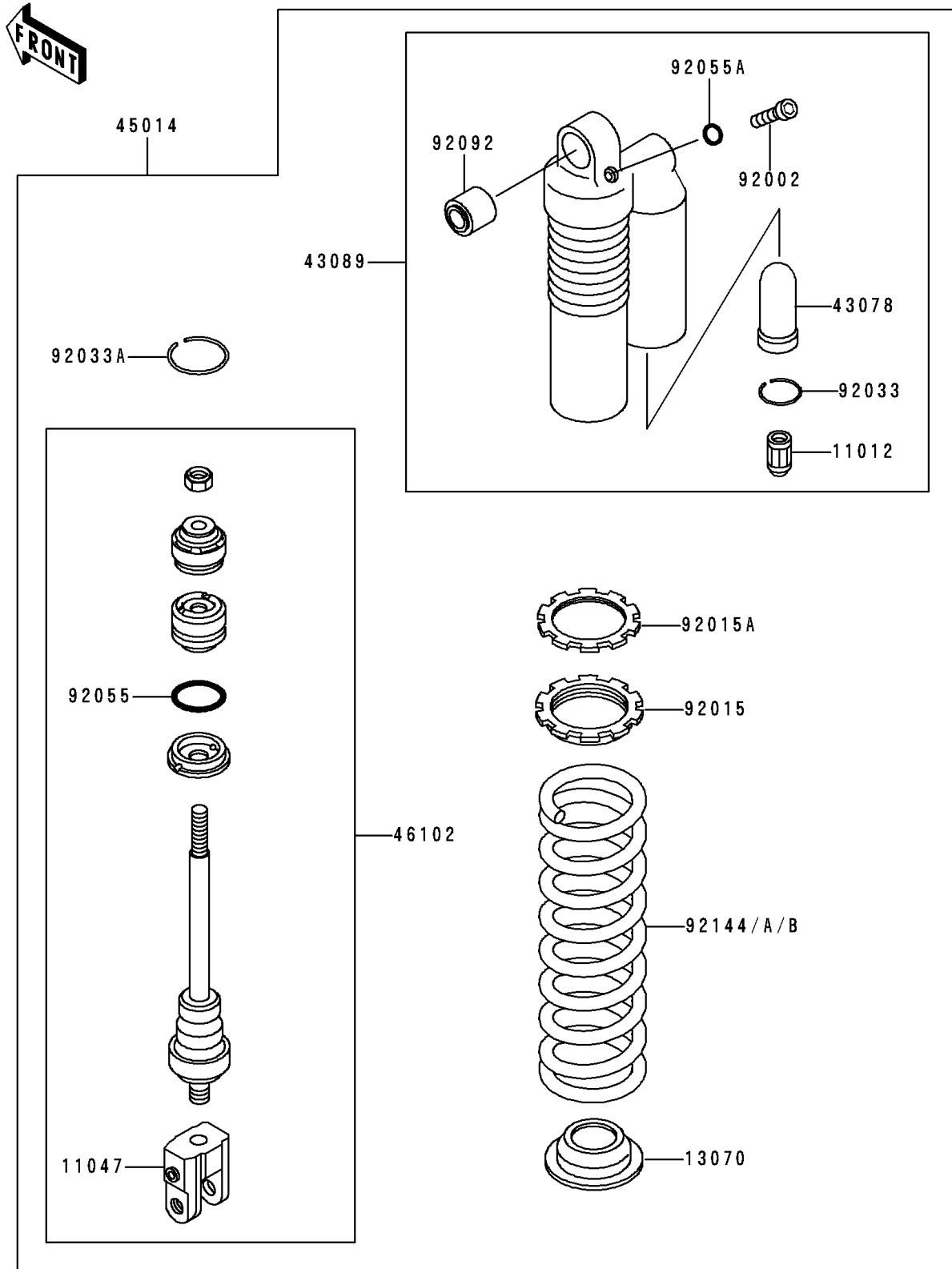


# 1992 Big Wheel PARTS DIAGRAM

Shock Absorber

F2280



# 1992 Big Wheel PARTS LIST

## Shock Absorber

ITEM NAME	PART NUMBER	QUANTITY
CAP,VALVE AIR (Ref # 11012)	11012-1391	1
BRACKET,PISTON ROD (Ref # 11047)	11047-1123	1
GUIDE,SPRING (Ref # 13070)	13070-1233	1
RESERVOIR,SHOCKABSORBER (Ref # 43078)	43078-1112	1
CYLINDER-SHOCKABSORBER (Ref # 43089)	43089-1153	1
SHOCKABSORBER,BLUE (Ref # 45014)	45014-1484-W1	1
ROD,SHOCKABSORBER (Ref # 46102)	46102-1292	1
BOLT,DRAIN (Ref # 92002)	92002-1955	1
NUT,SPRING ADJUST (Ref # 92015)	92015-1679	1
NUT,SPRING ADJUST LOCK (Ref # 92015A)	92015-1713	1
RING-SNAP,REARSHOCK (Ref # 92033)	92033-1091	1
RING-SNAP,SHOCKABSORBER (Ref # 92033A)	92033-1211	1
RING-O,ROD (Ref # 92055)	92055-1334	1
RING-O (Ref # 92055A)	92055-1383	1
BUSHING-RUBBER,SHOCKABSORBER (Ref # 92092)	92092-1016	1
SPRING,SHOCK,K=4.8,BLUE (Ref # 92144)	92144-1543-W1	1
SPRING,SHOCK,K=4.6,BLUE (Ref # 92144A)	92144-1570-W1	1
SPRING,SHOCK,K=5.0,BLUE (Ref # 92144B)	92144-1571-W1	1