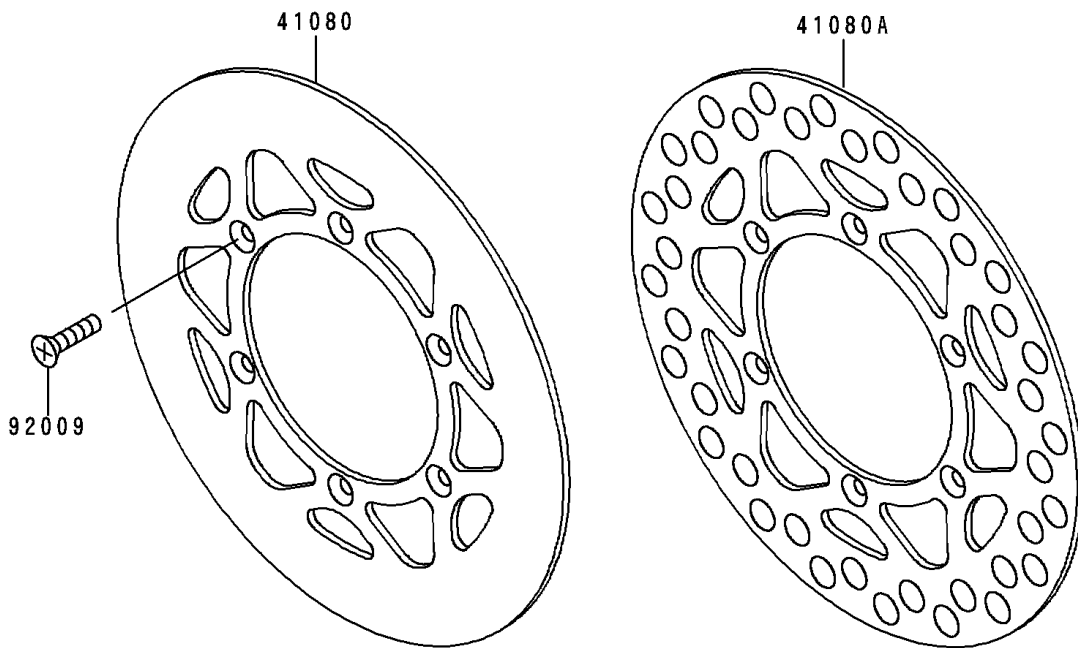
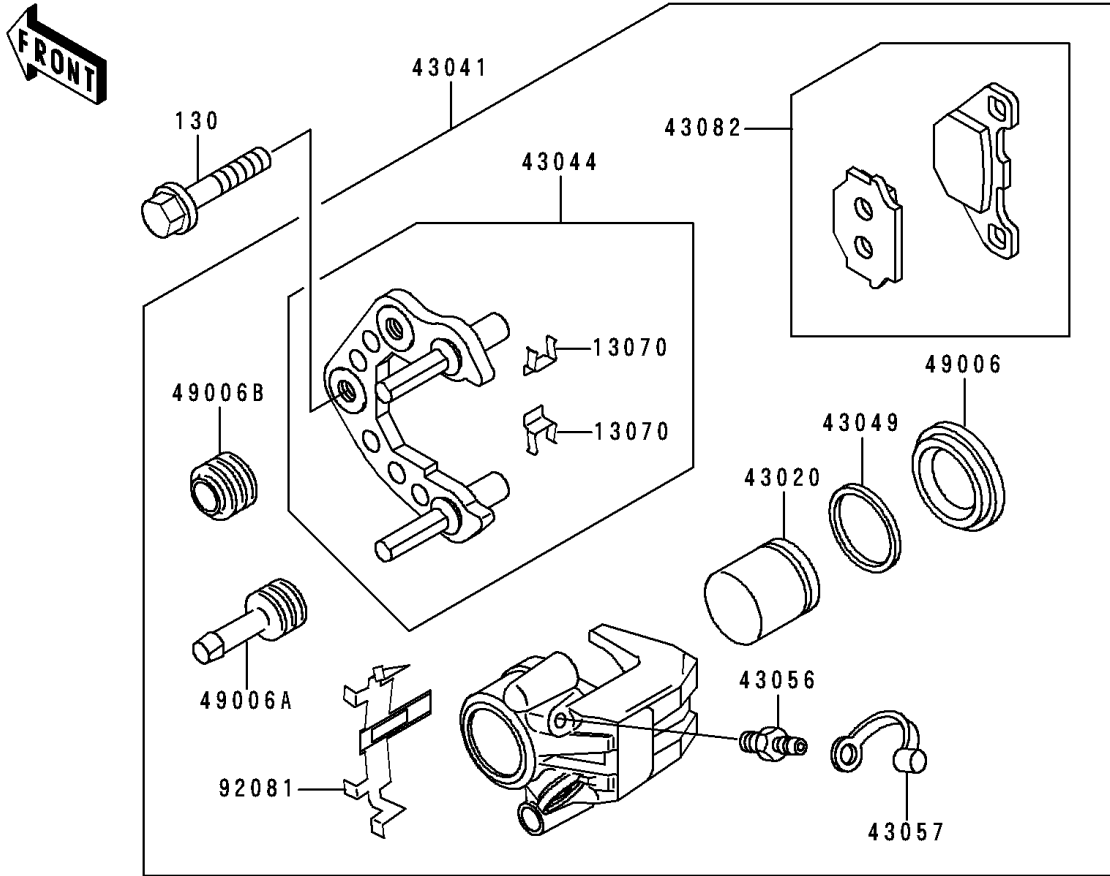


1993 KX80 PARTS DIAGRAM

Front Caliper

F2292



1993 KX80 PARTS LIST

Front Caliper

| ITEM NAME | PART NUMBER | QUANTITY |
|--------------------------------------|-------------|----------|
| BOLT-FLANGED (Ref # 130) | 130P0840 | 2 |
| GUIDE,PAD STOPPER (Ref # 13070) | 13070-1183 | 2 |
| DISC,FR (Ref # 41080) | 41080-1330 | 1 |
| DISC,FR (Ref # 41080A) | 41080-1335 | 1 |
| PISTON-COMP-BRAKE (Ref # 43020) | 43020-1091 | 1 |
| CALIPER-ASSY,FR (Ref # 43041) | 43041-1441 | 1 |
| HOLDER-COMP-CALIPER,FR (Ref # 43044) | 43044-1051 | 1 |
| PACKING (Ref # 43049) | 43049-1016 | 1 |
| BREATHER-BRAKE (Ref # 43056) | 43056-1054 | 1 |
| CAP-BREATHER (Ref # 43057) | 43057-003 | 1 |
| PAD-ASSY-BRAKE (Ref # 43082) | 43082-1083 | 1 |
| BOOT,PISTON SEAL (Ref # 49006) | 49006-1053 | 1 |
| BOOT,CALIPER (Ref # 49006A) | 49006-1054 | 1 |
| BOOT,CALIPER (Ref # 49006B) | 49006-1055 | 1 |
| SCREW,6X10 (Ref # 92009) | 92009-1375 | 6 |
| SPRING (Ref # 92081) | 92081-1341 | 1 |