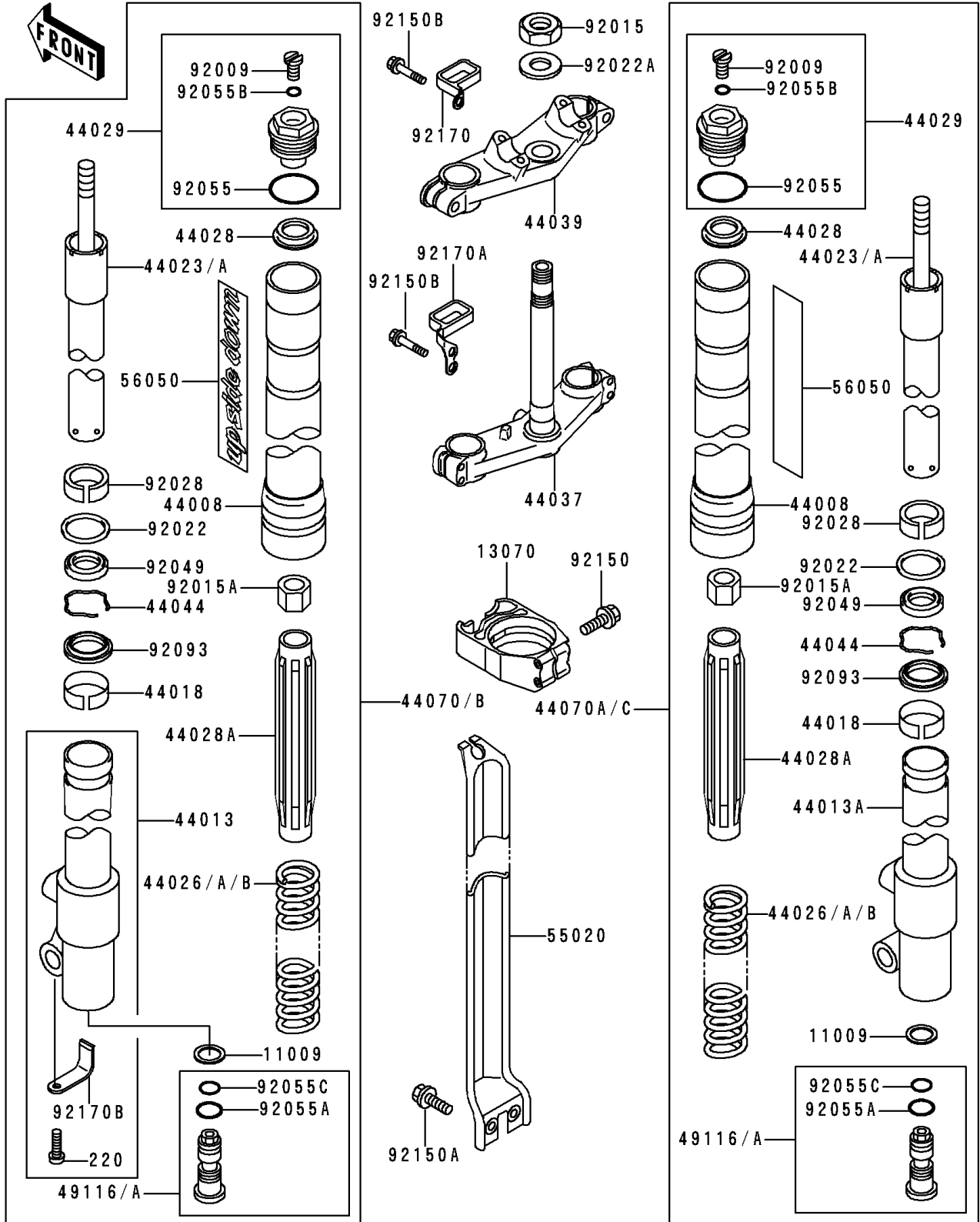


1993 Big Wheel PARTS DIAGRAM

Front Fork(KX80-T2/T3)

F2340A



1993 Big Wheel PARTS LIST

Front Fork(KX80-T2/T3)

ITEM NAME	PART NUMBER	QUANTITY
GASKET,FORK CYLINDER BOLT (Ref # 11009)	11009-1592	2
GUIDE,FORK (Ref # 13070)	13070-1253	2
PIPE-FORK OUTER (Ref # 44008)	44008-1019	2
PIPE-FORK INNER,LH (Ref # 44013)	44013-1361	1
PIPE-FORK INNER,RH (Ref # 44013A)	44013-1362	1
PISTON-FORK (Ref # 44018)	44018-1058	2
CYLINDER-COMP-FORK (Ref # 44023A)	44023-1089	2
SPRING-FRONT FORK,K=0.29 (Ref # 44026)	44026-1507	2
SPRING-FRONT FORK,K=0.28 (Ref # 44026A)	44026-1514	2
SPRING-FRONT FORK,K=0.30 (Ref # 44026B)	44026-1515	2
GUIDE-FORK SPRING (Ref # 44028)	44028-1085	2
GUIDE-FORK SPRING (Ref # 44028A)	44028-1090	2
SEAT-FORK SPRING (Ref # 44029)	44029-1152	2
HOLDER-FORK UNDER (Ref # 44037)	44037-1294	1
HOLDER-FORK UPPER (Ref # 44039)	44039-1221	1
RING-SNAP (Ref # 44044)	44044-015	2
DAMPER-ASSY,FORK (Ref # 44070A)	44070-5158	1
VALVE-ASSY,FORK (Ref # 49116A)	49116-1110	2
GUARD,FORK (Ref # 55020)	55020-1405	2
SCREW (Ref # 92009)	92009-1568	2
NUT,STEERING STEM,22MM (Ref # 92015)	92015-1653	1
NUT (Ref # 92015A)	92015-1839	2
WASHER,FRONT FORK (Ref # 92022)	92022-1275	2
WASHER,STEERING STEM (Ref # 92022A)	92022-1873	1
BUSHING (Ref # 92028)	92028-1656	2
SEAL-OIL,FORK OUTER TUBE (Ref # 92049)	92049-1394	2
RING-O (Ref # 92055)	92055-1123	2
RING-O (Ref # 92055A)	92055-1156	2
RING-O (Ref # 92055B)	92055-1441	2

1993 Big Wheel PARTS LIST

Front Fork(KX80-T2/T3)

ITEM NAME	PART NUMBER	QUANTITY
RING-O,FORK VALVE (Ref # 92055C)	92055-1502	2
SEAL,FORK OUTER TUBE (Ref # 92093)	92093-1333	2
BOLT,5X35 (Ref # 92150)	92150-1270	4
SCREW-PAN-CROS (Ref # 220)	220B0510	1
BOLT,6X14 (Ref # 92150A)	92150-1340	4
BOLT,FLANGED,8X35 (Ref # 92150B)	92150-1499	6
CLAMP,CABLE (Ref # 92170)	92170-1264	1
CLAMP,CABLE (Ref # 92170A)	92170-1265	1
CLAMP (Ref # 92170B)	92170-1298	1