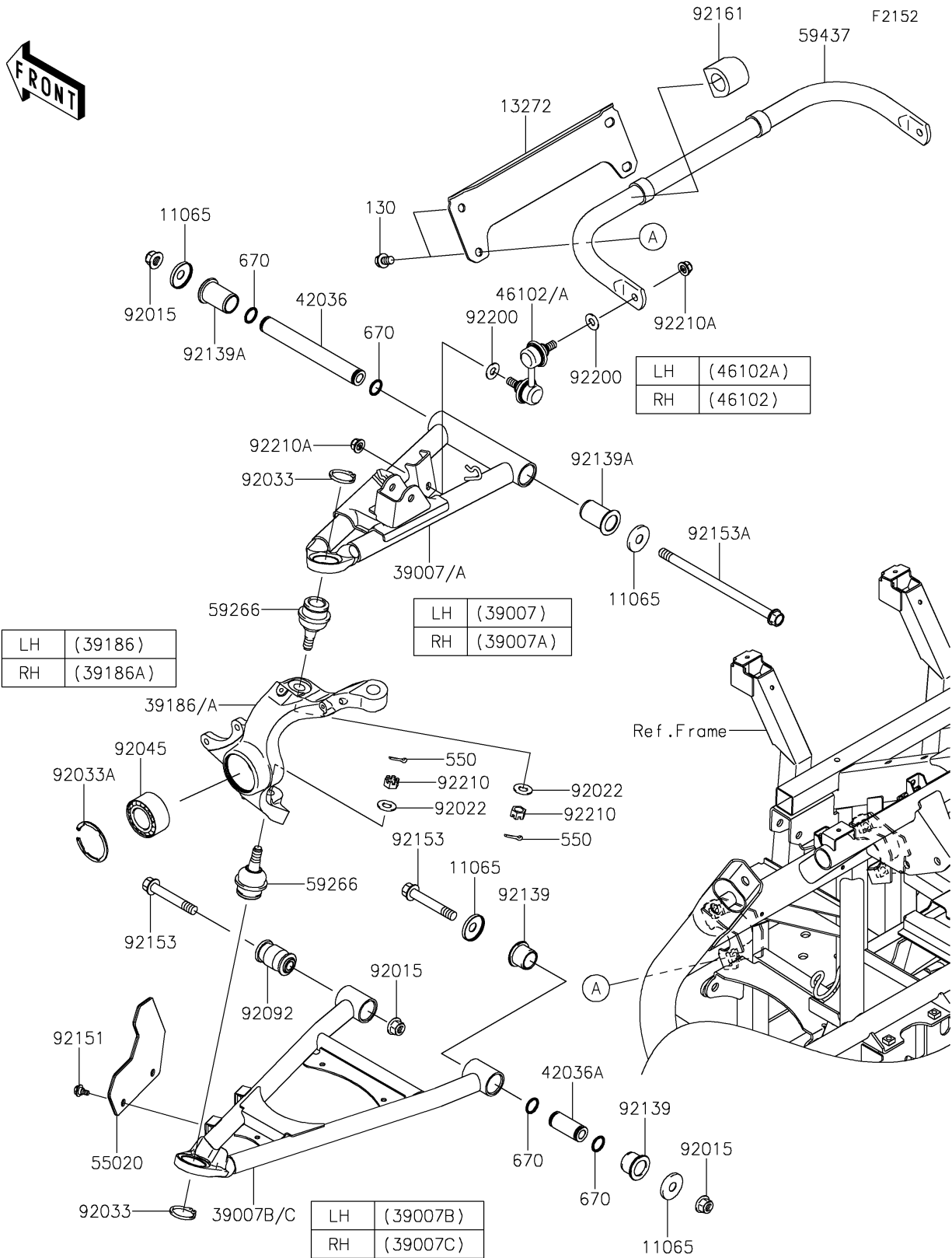


2021 TERYX® PARTS DIAGRAM

Front Suspension



2021 TERYX® PARTS LIST

Front Suspension

| ITEM NAME | PART NUMBER | QUANTITY |
|--|----------------|----------|
| CAP (Ref # 11065) | 11065-0253 | 8 |
| PLATE (Ref # 13272) | 13272-1650 | 1 |
| ARM-SUSP,FR,UPP,LH,V.BLUE (Ref # 39007) | 39007-0367-57G | 1 |
| ARM-SUSP,FR,UPP,RH,V.BLUE (Ref # 39007A) | 39007-0368-57G | 1 |
| ARM-SUSP,FR,LWR,LH,V.BLUE (Ref # 39007B) | 39007-0389-57G | 1 |
| ARM-SUSP,FR,LWR,RH,V.BLUE (Ref # 39007C) | 39007-0390-57G | 1 |
| KNUCKLE,FR,LH (Ref # 39186) | 39186-0311 | 1 |
| KNUCKLE,FR,RH (Ref # 39186A) | 39186-0312 | 1 |
| SLEEVE (Ref # 42036) | 42036-0061 | 2 |
| SLEEVE (Ref # 42036A) | 42036-0062 | 2 |
| ROD,STABILIZER,RH (Ref # 46102) | 46102-0100 | 1 |
| ROD,STABILIZER,LH (Ref # 46102A) | 46102-0101 | 1 |
| GUARD,FRONT ARM (Ref # 55020) | 55020-0839 | 2 |
| JOINT-BALL (Ref # 59266) | 59266-0711 | 4 |
| STABILIZER,FR (Ref # 59437) | 59437-0010 | 1 |
| NUT,LOCK,FLANGED,12MM (Ref # 92015) | 92015-1433 | 6 |
| WASHER (Ref # 92022) | 92022-1831 | 4 |
| RING-SNAP,C-TYPE,32MM (Ref # 92033) | 92033-1262 | 4 |
| RING-SNAP,55MM (Ref # 92033A) | 92033-1274 | 2 |
| BEARING-BALL,30X55X32 (Ref # 92045) | 92045-0800 | 2 |
| BUSHING-RUBBER (Ref # 92092) | 92092-0555 | 2 |
| BUSHING (Ref # 92139) | 92139-0231 | 4 |
| BUSHING,22.4X28.2X46 (Ref # 92139A) | 92139-0806 | 4 |
| BOLT,FLANGED,6X13 (Ref # 92151) | 92151-1703 | 4 |
| BOLT,FLANGED,12X76.5 (Ref # 92153) | 92153-1733 | 4 |
| BOLT,FLANGED,12X213 (Ref # 92153A) | 92153-1958 | 2 |
| DAMPER (Ref # 92161) | 92161-1508 | 2 |
| WASHER,10.3X23X1.6 (Ref # 92200) | 92200-2009 | 4 |
| NUT,CASTLE,12MM (Ref # 92210) | 92210-0395 | 4 |

2021 TERYX® PARTS LIST

Front Suspension

| ITEM NAME | PART NUMBER | QUANTITY |
|--------------------------------------|-------------|----------|
| NUT,LOCK,FLANGED,10MM (Ref # 92210A) | 92210-1080 | 4 |
| BOLT-FLANGED,10X16 (Ref # 130) | 130CA1016 | 4 |
| PIN-COTTER,3.0X25 (Ref # 550) | 550AA3025 | 4 |
| O RING,18MM (Ref # 670) | 670B2018 | 8 |