

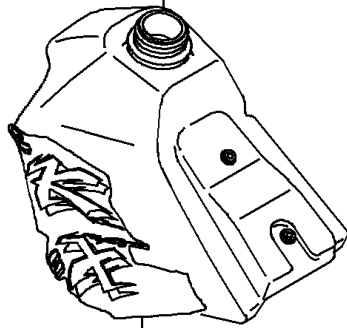
1993 Big Wheel PARTS DIAGRAM

Label(KX80-R3/T3)

F2860A

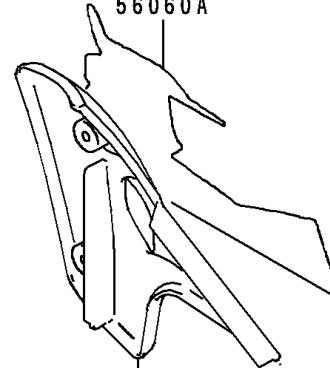


Ref. Fuel Tank



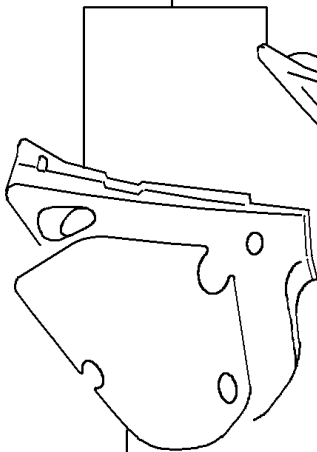
56060

56060A



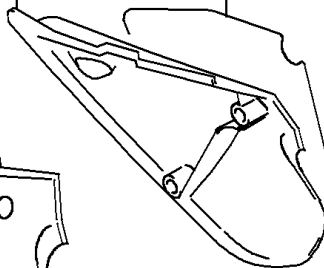
Ref. Radiator

Ref. Side Cover

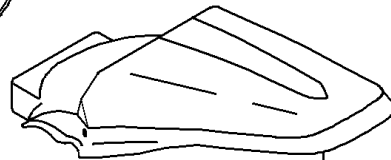


56049

56049A

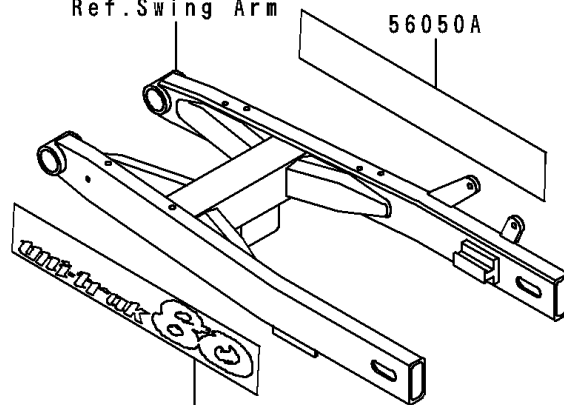


56040



Ref. Fender

Ref. Swing Arm



56050

56050A

1993 Big Wheel PARTS LIST

Label(KX80-R3/T3)

ITEM NAME	PART NUMBER	QUANTITY
LABEL-WARNING,NOISE (Ref # 56040)	56040-1101	1
LABEL-WARNING,GASOLINE/OIL (Ref # 56040A)	56040-1129	1
PATTERN,SIDE COVER,LH (Ref # 56049)	56049-1707	1
PATTERN,SIDE COVER,RH (Ref # 56049A)	56049-1708	1
MARK,UPSIDE DOWN (Ref # 56050)	56050-1729	2
MARK,SWING ARM,LH,UNI-TRAK 80 (Ref # 56050A)	56050-1853	1
MARK,SWING ARM,RH,80 UNI-TRAK (Ref # 56050B)	56050-1854	1
PATTERN,FUEL TANK,LH (Ref # 56060)	56060-1283	1
PATTERN,SHROUD,RH (Ref # 56060A)	56060-1284	1