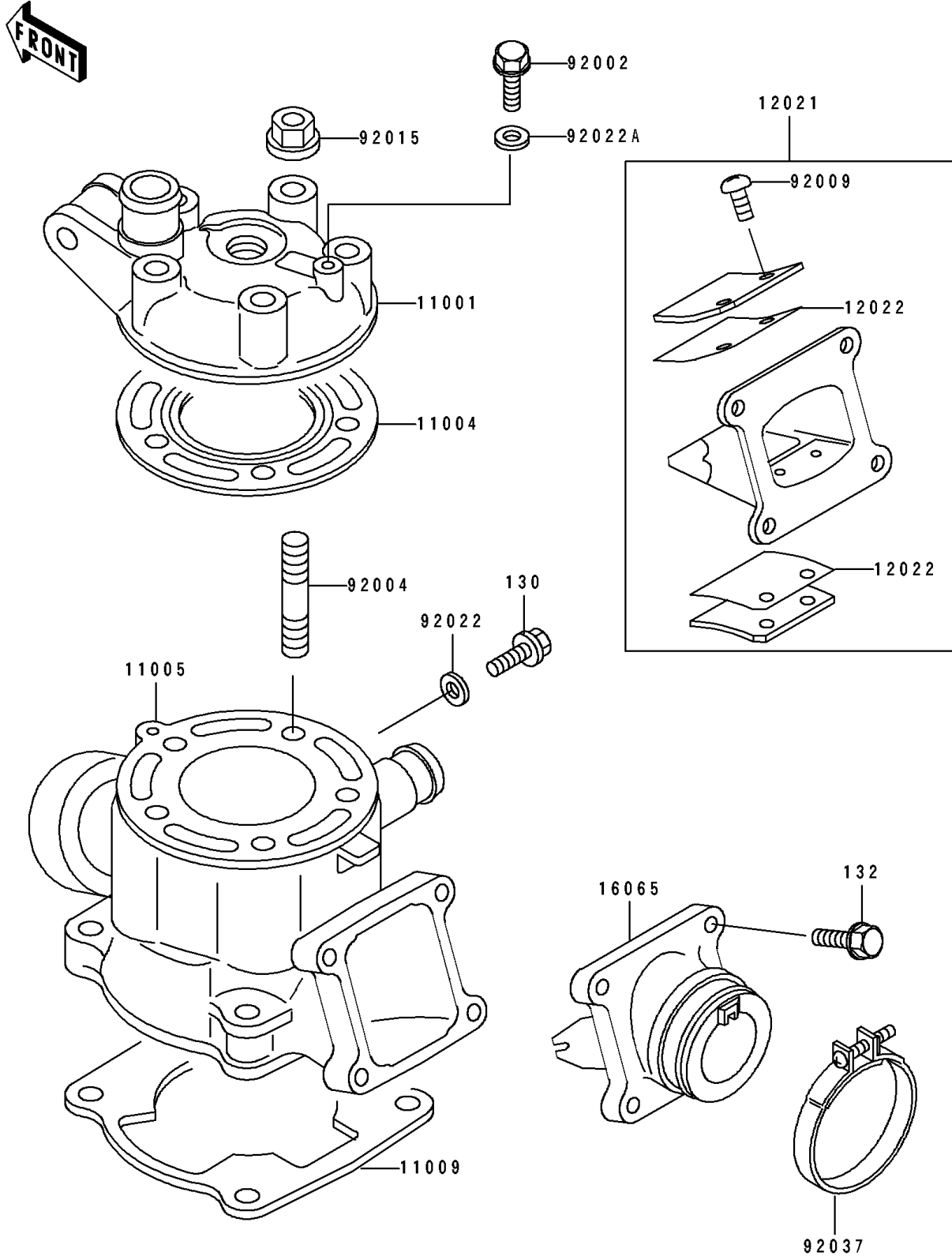


1994 KX80 PARTS DIAGRAM

Cylinder Head/Cylinder

E1110



1994 KX80 PARTS LIST

Cylinder Head/Cylinder

| ITEM NAME | PART NUMBER | QUANTITY |
|------------------------------------|-------------|----------|
| HEAD-CYLINDER (Ref # 11001) | 11001-1371 | 1 |
| GASKET-HEAD (Ref # 11004) | 11004-1213 | 1 |
| CYLINDER-ENGINE (Ref # 11005) | 11005-1674 | 1 |
| GASKET,CYLINDER BASE (Ref # 11009) | 11009-1970 | 1 |
| VALVE-ASSY-REED (Ref # 12021) | 12021-1075 | 1 |
| VALVE-REED (Ref # 12022) | 12022-1054 | 2 |
| HOLDER-CARBURETOR (Ref # 16065) | 16065-1224 | 1 |
| BOLT,6X10 (Ref # 92002) | 92002-1222 | 1 |
| STUD,8X32 (Ref # 92004) | 92004-1197 | 5 |
| SCREW,REED VALVE (Ref # 92009) | 92009-1014 | 4 |
| NUT,8MM (Ref # 92015) | 92015-1143 | 5 |
| WASHER,6.1X12X1 (Ref # 92022) | 92022-077 | 1 |
| WASHER,6.2X11X1 (Ref # 92022A) | 92022-304 | 1 |
| CLAMP (Ref # 92037) | 92037-1843 | 1 |
| BOLT-FLANGED,6X8 (Ref # 130) | 130B0608 | 1 |
| BOLT-FLANGED-SMALL (Ref # 132) | 132G0620 | 4 |