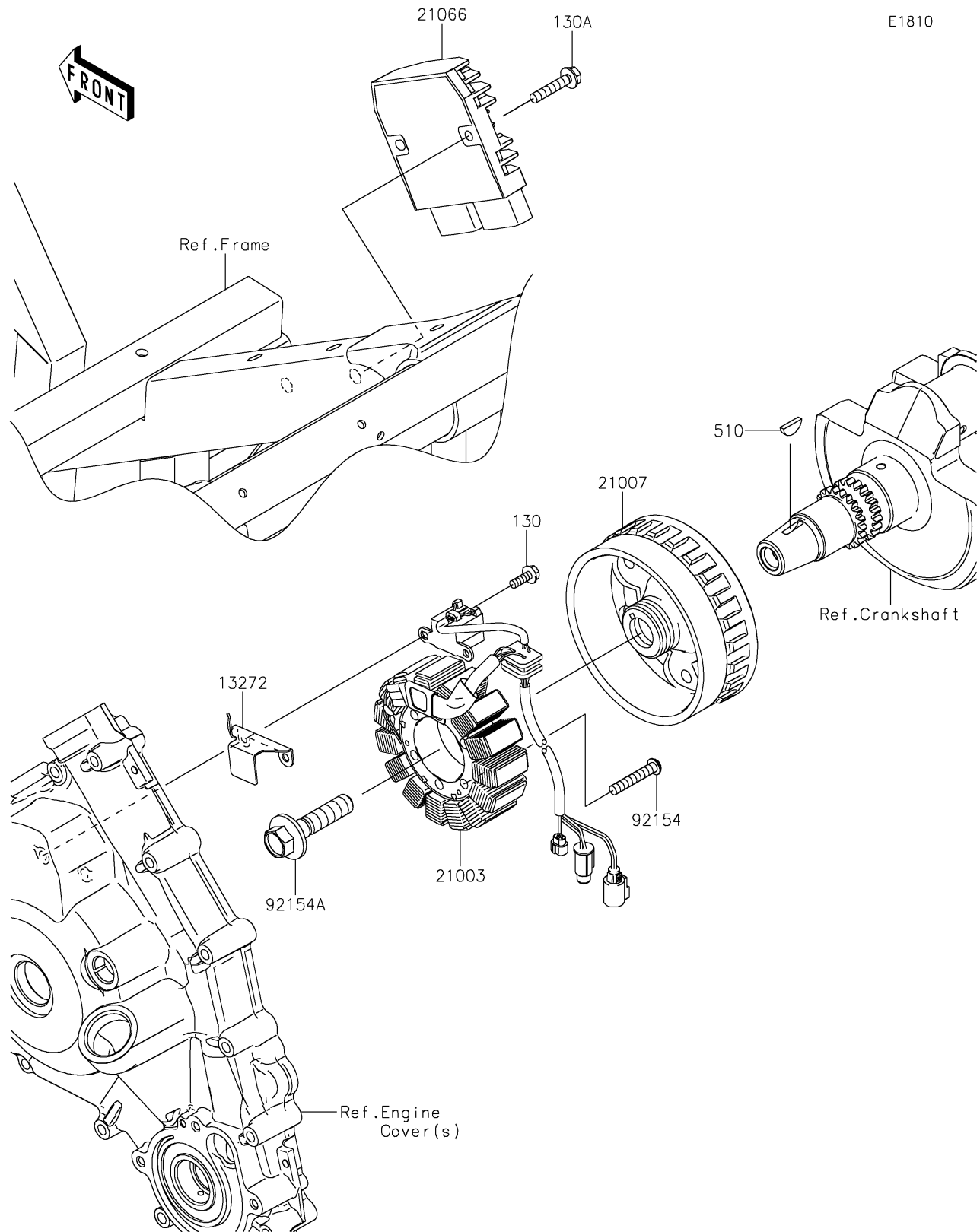


2021 TERYX4™ PARTS DIAGRAM

Generator

E1810



2021 TERYX4™ PARTS LIST

Generator

| ITEM NAME | PART NUMBER | QUANTITY |
|---------------------------------|-------------|----------|
| PLATE (Ref # 13272) | 13272-1222 | 1 |
| STATOR (Ref # 21003) | 21003-0166 | 1 |
| ROTOR (Ref # 21007) | 21007-0565 | 1 |
| REGULATOR-VOLTAGE (Ref # 21066) | 21066-0771 | 1 |
| BOLT,TORX,6X35 (Ref # 92154) | 92154-1007 | 4 |
| BOLT,12X50 (Ref # 92154A) | 92154-1826 | 1 |
| BOLT-FLANGED,5X14 (Ref # 130) | 130BA0514 | 2 |
| BOLT-FLANGED,6X30 (Ref # 130A) | 130BA0630 | 2 |
| KEY-WOODRUFF (Ref # 510) | 510A4200 | 1 |