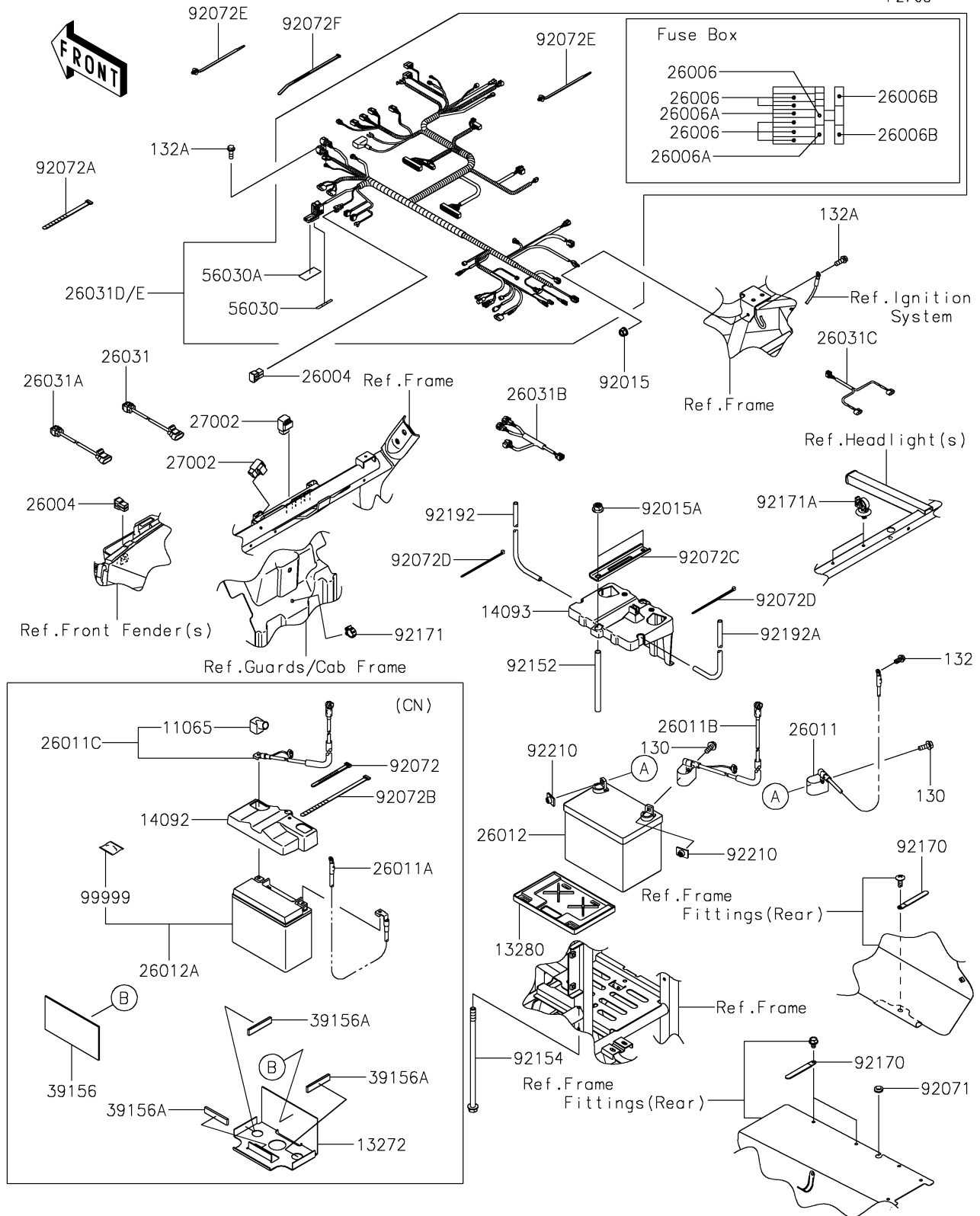


2021 TERYX4™ PARTS DIAGRAM

Chassis Electrical Equipment

F2760



2021 TERYX4™ PARTS LIST

Chassis Electrical Equipment

ITEM NAME	PART NUMBER	QUANTITY
CAP (Ref # 11065)	11065-0755	1
PLATE,BATTERY BOTTOM (Ref # 13272)	13272-1322	1
HOLDER,BATTERY (Ref # 13280)	13280-0709	1
COVER,BATTERY (Ref # 14092)	14092-0978	1
COVER,BATTERY (Ref # 14093)	14093-0546	1
FUSE-ASSY,40A (Ref # 26004)	26004-1093	2
FUSE,MINI BLADE,10A,RED (Ref # 26006)	26006-0009	6
FUSE,MINI BLADE,20A,YELLOW (Ref # 26006A)	26006-1079	2
FUSE,MINI BLADE,30A,GREEN (Ref # 26006B)	26006-1080	2
WIRE-LEAD,BATTERY(-) (Ref # 26011)	26011-1852	1
WIRE-LEAD,BATTERY(-) (Ref # 26011A)	26011-1853	1
WIRE-LEAD,BATTERY(+) (Ref # 26011B)	26011-1854	1
WIRE-LEAD,BATTERY(+) (Ref # 26011C)	26011-1855	1
BATTERY,12V 14AH (Ref # 26012)	26012-0107	1
BATTERY,YTX20L-BS,12V 18AH (Ref # 26012A)	26012-0787	1
HARNESS,HEAD LAMP,RH (Ref # 26031)	26031-2385	1
HARNESS,HEAD LAMP,LH (Ref # 26031A)	26031-2426	1
HARNESS,SUB,FI (Ref # 26031B)	26031-2430	1
HARNESS,SUB,TAIL LAMP (Ref # 26031C)	26031-2431	1
HARNESS,MAIN (Ref # 26031D)	26031-2723	1
HARNESS,MAIN (Ref # 26031E)	26031-2724	1
RELAY-ASSY (Ref # 27002)	27002-1062	2
PAD,175X94X3 (Ref # 39156)	39156-0837	1
PAD,15X72X5 (Ref # 39156A)	39156-0838	3
LABEL,FUSE BOX,30A (Ref # 56030)	56030-0404	1
LABEL,FUSE BOX (Ref # 56030A)	56030-0900	1
NUT,LOCK,FLANGED,6MM (Ref # 92015)	92015-1339	1
NUT,FLANGED,8MM (Ref # 92015A)	92015-1406	2
GROMMET,10X20X6 (Ref # 92071)	92071-0733	1

2021 TERYX4™ PARTS LIST

Chassis Electrical Equipment

ITEM NAME	PART NUMBER	QUANTITY
BAND,L=123 (Ref # 92072)	92072-030	1
BAND,L=149 (Ref # 92072A)	92072-031	1
BAND,L=218 (Ref # 92072B)	92072-032	1
BAND (Ref # 92072C)	92072-0707	1
BAND,92X2.4 (Ref # 92072D)	92072-0791	2
BAND,OS170-FT7(BLACK) (Ref # 92072E)	92072-1414	14
BAND,L=292.1 (Ref # 92072F)	92072-3509	21
COLLAR,10.2X12.7X165.8 (Ref # 92152)	92152-1555	2
BOLT,FLANGED,8X185 (Ref # 92154)	92154-0889	2
CLAMP (Ref # 92170)	92170-1925	3
CLAMP,BRAKE HOSE (Ref # 92171)	92171-0316	1
CLAMP (Ref # 92171A)	92171-0453	2
TUBE,7X10X450 (Ref # 92192)	92192-1695	1
TUBE,7X10X560 (Ref # 92192A)	92192-1818	1
NUT,PLATE,6MM (Ref # 92210)	92210-1352	2
BOLT NUT KIT (Ref # 99999)	99999-0311	1
BOLT-FLANGED,6X16 (Ref # 130)	130BA0616	2
BOLT-FLANGED-SMALL,6X12 (Ref # 132)	132BA0612	1
BOLT-FLANGED-SMALL,6X16 (Ref # 132A)	132BA0616	2