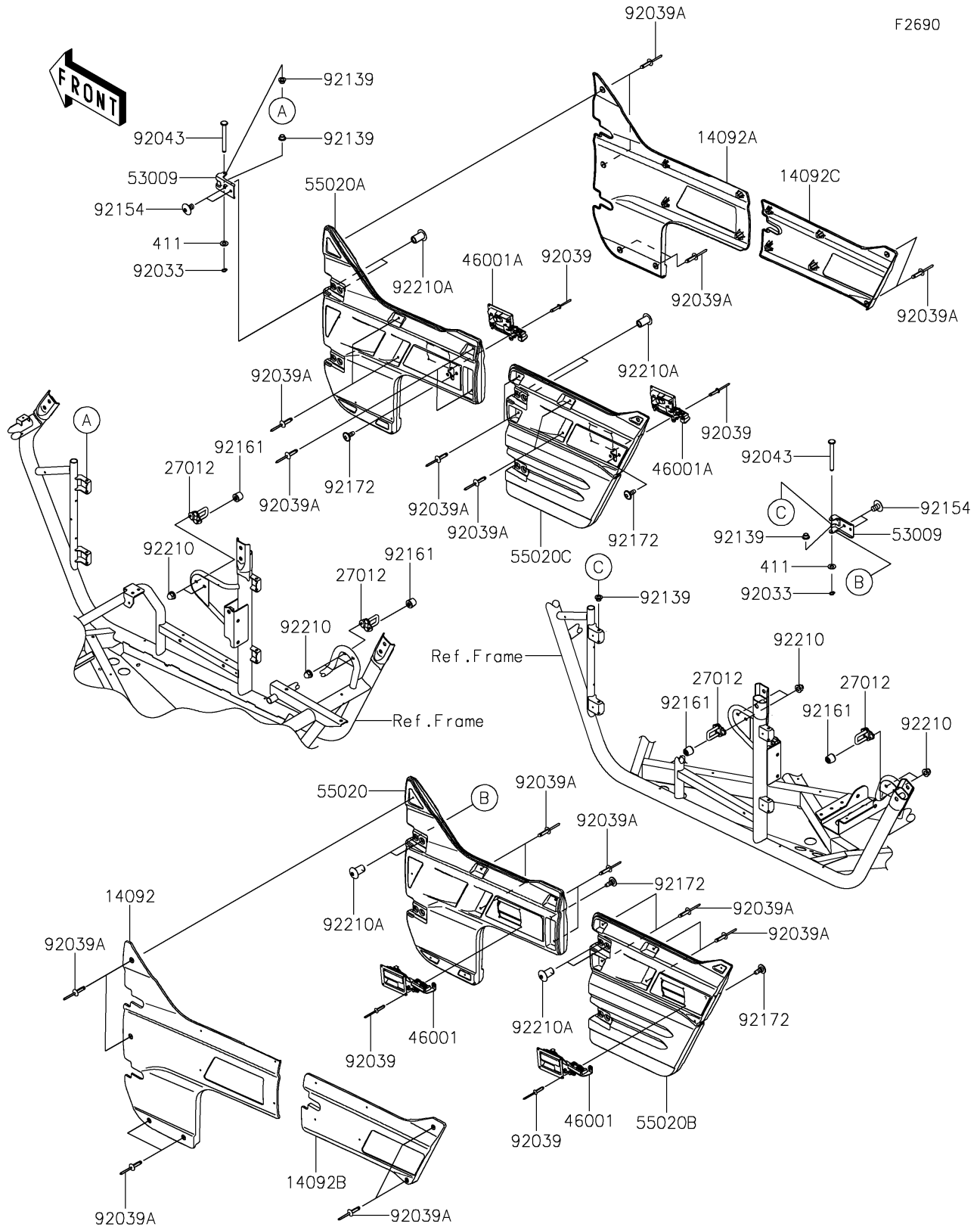


2021 TERYX4™ CAMO PARTS DIAGRAM

Door

F2690



2021 TERYX4™ CAMO PARTS LIST

Door

| ITEM NAME | PART NUMBER | QUANTITY |
|--|----------------|----------|
| COVER,SIDE GUARD,FR,LH,CAMO (Ref # 14092) | 14092-0806-42H | 1 |
| COVER,SIDE GUARD,FR,RH,CAMO (Ref # 14092A) | 14092-0807-42H | 1 |
| COVER,SIDE GUARD,RR,LH,CAMO (Ref # 14092B) | 14092-0808-42H | 1 |
| COVER,SIDE GUARD,RR,RH,CAMO (Ref # 14092C) | 14092-0809-42H | 1 |
| HOOK (Ref # 27012) | 27012-0705 | 4 |
| HANDLE-ASSY,SIDE GUARD,LH (Ref # 46001) | 46001-0556 | 2 |
| HANDLE-ASSY,SIDE GUARD,RH (Ref # 46001A) | 46001-0557 | 2 |
| HINGE (Ref # 53009) | 53009-0303 | 8 |
| GUARD,SIDE,FR,LH (Ref # 55020) | 55020-0737 | 1 |
| GUARD,SIDE,FR,RH (Ref # 55020A) | 55020-0738 | 1 |
| GUARD,SIDE,RR,LH (Ref # 55020B) | 55020-0739 | 1 |
| GUARD,SIDE,RR,RH (Ref # 55020C) | 55020-0740 | 1 |
| RING-SNAP (Ref # 92033) | 92033-0719 | 8 |
| RIVET,4.0X17.5 (Ref # 92039) | 92039-0703 | 16 |
| RIVET,5X23.3 (Ref # 92039A) | 92039-0769 | 28 |
| PIN,6X56 (Ref # 92043) | 92043-0743 | 8 |
| BUSHING,6X8X6 (Ref # 92139) | 92139-0709 | 16 |
| BOLT,TORX,8X13 (Ref # 92154) | 92154-1911 | 16 |
| DAMPER,9X28X24.3 (Ref # 92161) | 92161-1456 | 4 |
| SCREW,6X16 (Ref # 92172) | 92172-0711 | 8 |
| NUT,CAP,6MM (Ref # 92210) | 92210-0003 | 8 |
| NUT,TORX,8MM (Ref # 92210A) | 92210-1442 | 16 |
| WASHER-PLAIN,6MM (Ref # 411) | 411AB0600 | 8 |