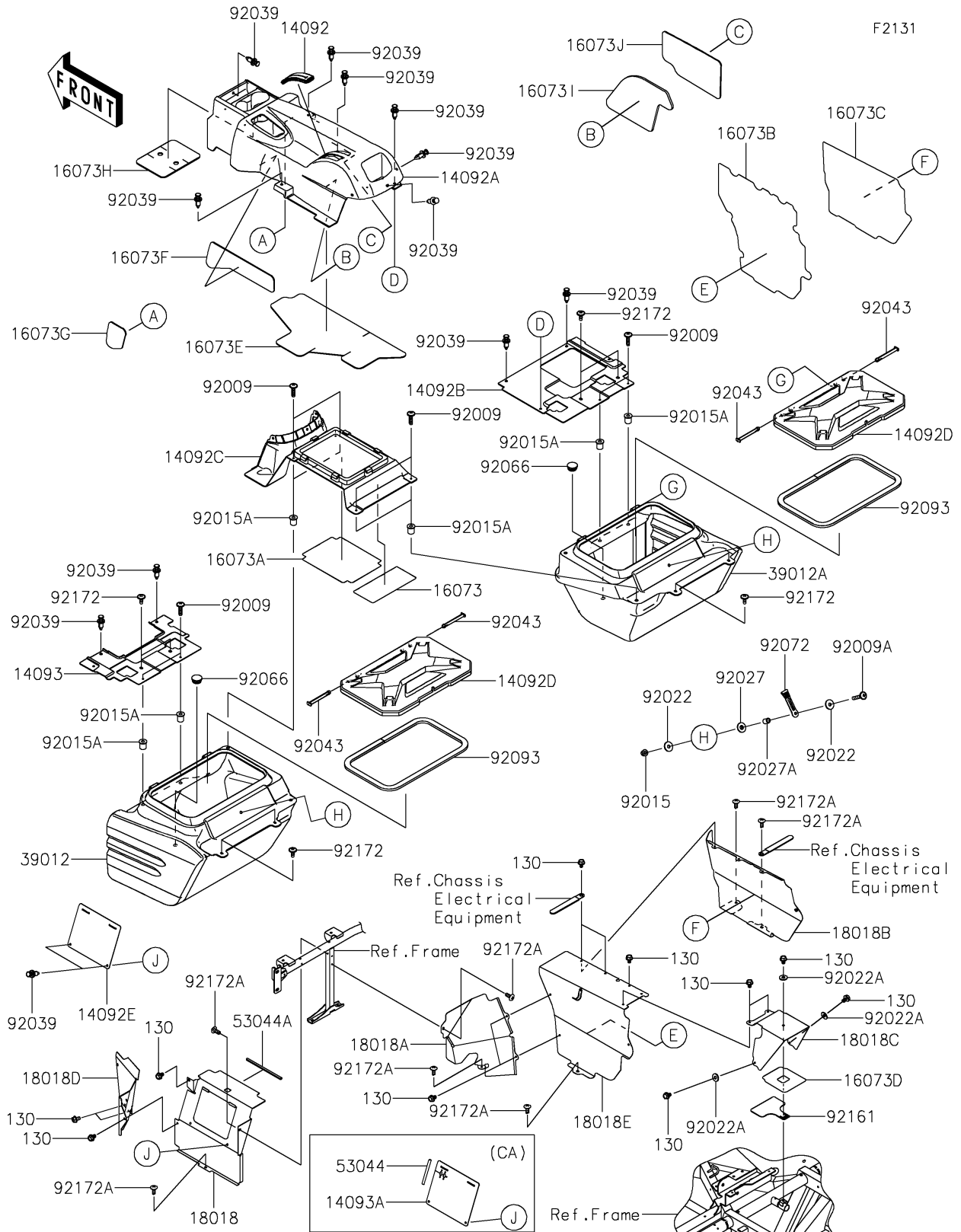


# 2018 TERYX® PARTS DIAGRAM

## Frame Fittings(Rear)



## 2018 TERYX® PARTS LIST

### Frame Fittings(Rear)

| ITEM NAME                                     | PART NUMBER | QUANTITY |
|---|-------------|----------|
| COVER,CENTER CONSOLE,TOP (Ref # 14092)        | 14092-0791  | 1        |
| COVER,CENTER CONSOLE (Ref # 14092A)           | 14092-1056  | 1        |
| COVER,RR SIDE,RH (Ref # 14092B)               | 14092-1070  | 1        |
| COVER,RR CONSOLE (Ref # 14092C)               | 14092-1071  | 1        |
| COVER,RR STORAGE (Ref # 14092D)               | 14092-1072  | 2        |
| COVER,RR SIDE,LH (Ref # 14093)                | 14093-0063  | 1        |
| COVER,MAINTENANCE (Ref # 14093A)              | 14093-0560  | 1        |
| INSULATOR,RR,115X255 (Ref # 16073)            | 16073-0791  | 1        |
| INSULATOR,FR,225X290 (Ref # 16073A)           | 16073-0792  | 1        |
| INSULATOR,RR TUNNEL,LH (Ref # 16073B)         | 16073-0795  | 1        |
| INSULATOR,RR TUNNEL,RH (Ref # 16073C)         | 16073-0796  | 1        |
| INSULATOR,RR TUNNEL,RR (Ref # 16073D)         | 16073-0797  | 1        |
| INSULATOR,CENTER CONSOLE (Ref # 16073E)       | 16073-0800  | 1        |
| INSULATOR,CENTER CONSOLE (Ref # 16073F)       | 16073-0801  | 1        |
| INSULATOR,CENTER CONSOLE (Ref # 16073G)       | 16073-0802  | 1        |
| INSULATOR,CENTER CONSOLE (Ref # 16073H)       | 16073-0803  | 1        |
| INSULATOR,CENTER CONSOLE (Ref # 16073I)       | 16073-0804  | 1        |
| INSULATOR,CENTER CONSOLE (Ref # 16073J)       | 16073-0805  | 1        |
| PLATE-HEAT GUARD,LH UD SEAT,FR (Ref # 18018)  | 18018-0042  | 1        |
| PLATE-HEAT GUARD,LH UD SEAT,RR (Ref # 18018A) | 18018-0043  | 1        |
| PLATE-HEAT GUARD,RR TUNNEL,RH (Ref # 18018B)  | 18018-0045  | 1        |
| PLATE-HEAT GUARD,RR TUNNEL,RR (Ref # 18018C)  | 18018-0047  | 1        |
| PLATE-HEAT GUARD,DRIVER (Ref # 18018D)        | 18018-0596  | 1        |
| PLATE-HEAT GUARD,RR TUNNEL,LH (Ref # 18018E)  | 18018-0599  | 1        |
| CASE-STORAGE,RR,LH (Ref # 39012)              | 39012-0035  | 1        |
| CASE-STORAGE,RR,RH (Ref # 39012A)             | 39012-0036  | 1        |
| TRIM (Ref # 53044)                            | 53044-0564  | 1        |
| TRIM,L=200 (Ref # 53044A)                     | 53044-0573  | 1        |
| SCREW,6X25 (Ref # 92009)                      | 92009-1465  | 8        |

## 2018 TERYX® PARTS LIST

### Frame Fittings(Rear)

| ITEM NAME                          | PART NUMBER | QUANTITY |
|------------------------------------|-------------|----------|
| SCREW,6X35 (Ref # 92009A)          | 92009-1672  | 2        |
| NUT,LOCK,FLANGED,6MM (Ref # 92015) | 92015-1339  | 2        |
| NUT (Ref # 92015A)                 | 92015-1700  | 8        |
| WASHER,6.5X20X1.6 (Ref # 92022)    | 92022-125   | 4        |
| WASHER (Ref # 92022A)              | 92022-2247  | 3        |
| COLLAR,L=5.1 (Ref # 92027)         | 92027-1260  | 2        |
| COLLAR,6.8X10X12 (Ref # 92027A)    | 92027-162   | 2        |
| RIVET (Ref # 92039)                | 92039-0776  | 14       |
| PIN (Ref # 92043)                  | 92043-0852  | 4        |
| PLUG (Ref # 92066)                 | 92066-1306  | 2        |
| BAND (Ref # 92072)                 | 92072-0144  | 2        |
| SEAL (Ref # 92093)                 | 92093-0605  | 2        |
| DAMPER,RR TUNNEL (Ref # 92161)     | 92161-1577  | 1        |
| SCREW,6X16 (Ref # 92172)           | 92172-0711  | 8        |
| SCREW,TAPPING,6X16 (Ref # 92172A)  | 92172-0739  | 7        |
| BOLT-FLANGED,6X10 (Ref # 130)      | 130AA0610   | 14       |