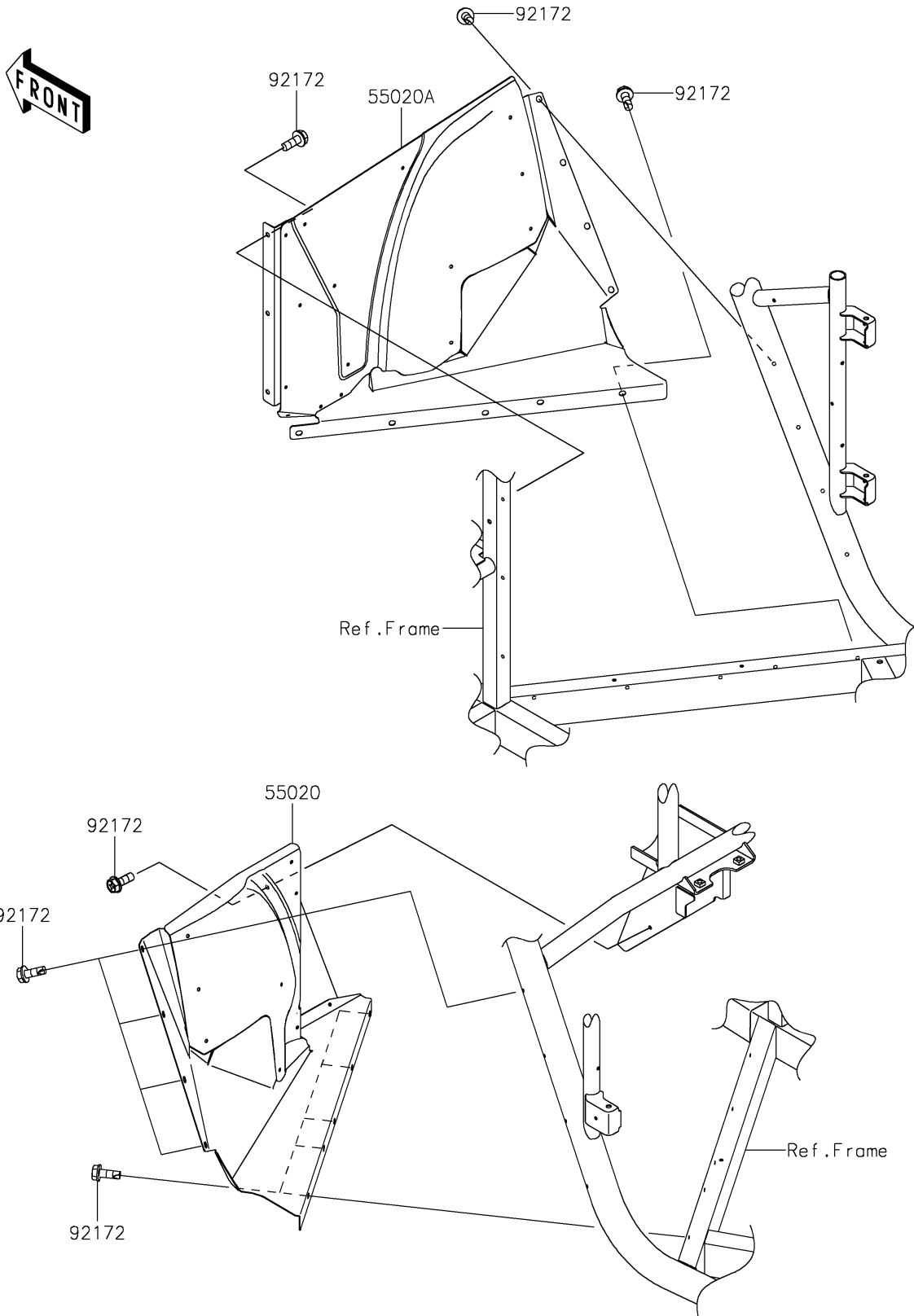


2019 TERYX® PARTS DIAGRAM

Guard(s)(FJF-FLF)

F2680A



2019 TERYX® PARTS LIST

Guard(s)(FJF-FLF)

ITEM NAME	PART NUMBER	QUANTITY
GUARD,1PIECE,LH (Ref # 55020)	55020-2167	1
GUARD,1PIECE,RH (Ref # 55020A)	55020-2168	1
SCREW,TAPPING,6X16 (Ref # 92172)	92172-0869	22